

**PLEASE CHECK WWW.MOLEX.COM FOR LATEST PART INFORMATION**

**Part Number:** [0719730225](#)  
**Status:** **Active**  
**Overview:** [cgrid\\_sl\\_products](#)  
**Description:** 2.54mm (.100") Pitch C-Grid® PCB Connector, Dual Row, Right Angle, Early Entry Receptacle, without Flange, 50 Circuits

**Documents:**

[3D Model](#) [Product Specification PS-71973-9999 \(PDF\)](#)  
[Drawing \(PDF\)](#) [RoHS Certificate of Compliance \(PDF\)](#)

**Agency Certification**

CSA LR19980  
 UL E29179

**General**

Product Family PCB Receptacles  
 Series [71973](#)  
 Application Board-to-Board  
 Overview [cgrid\\_sl\\_products](#)  
 Product Name C-Grid®

**Physical**

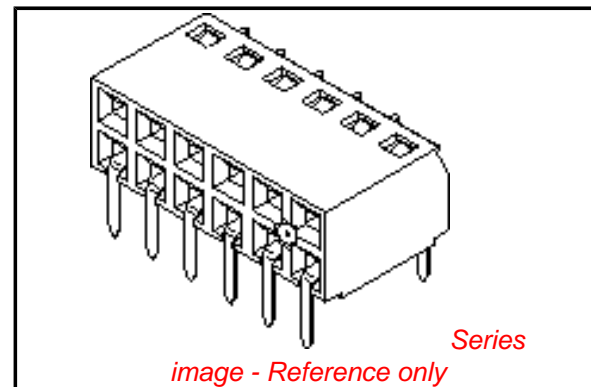
Circuits (Loaded) 50  
 Color - Resin Black  
 Durability (mating cycles max) 50  
 Flammability 94V-0  
 Glow-Wire Compliant No  
 Material - Metal Phosphor Bronze  
 Material - Plating Mating Gold  
 Material - Plating Termination Tin  
 Material - Resin High Temperature Thermoplastic  
 Number of Rows 2  
 Orientation Right Angle  
 PC Tail Length (in) 0.120 In  
 PC Tail Length (mm) 3.05 mm  
 PCB Locator No  
 PCB Retention None  
 PCB Thickness Recommended (in) 0.062 In  
 PCB Thickness Recommended (mm) 1.60 mm  
 Packaging Type Tube  
 Pitch - Mating Interface (in) 0.100 In  
 Pitch - Mating Interface (mm) 2.54 mm  
 Plating min: Mating (µin) 15  
 Plating min: Mating (µm) 0.38  
 Plating min: Termination (µin) 75  
 Plating min: Termination (µm) 1.90  
 Polarized to PCB No  
 Temperature Range - Operating -40°C to +105°C  
 Termination Interface: Style Through Hole

**Electrical**

Current - Maximum per Contact 2A  
 Voltage - Maximum 250V

**Solder Process Data**

Duration at Max. Process Temperature (seconds) 10  
 Lead-free Process Capability Wave Capable (TH only)



**EU RoHS**

**ELV and RoHS Compliant**  
**REACH SVHC Contains SVHC: No**  
**Halogen-Free Status**  
**Not Reviewed**

**China RoHS**



**Need more information on product environmental compliance?**

Email [productcompliance@molex.com](mailto:productcompliance@molex.com)  
 For a multiple part number RoHS Certificate of Compliance, [click here](#)

Please visit the [Contact Us](#) section for any non-product compliance questions.

**Search Parts in this Series**

[71973Series](#)

**Mates With**

[87911 Header](#)

|   |     |
|---|-----|
| Max. Cycles at Max. Process Temperature | 3   |
| Process Temperature max. C              | 260 |

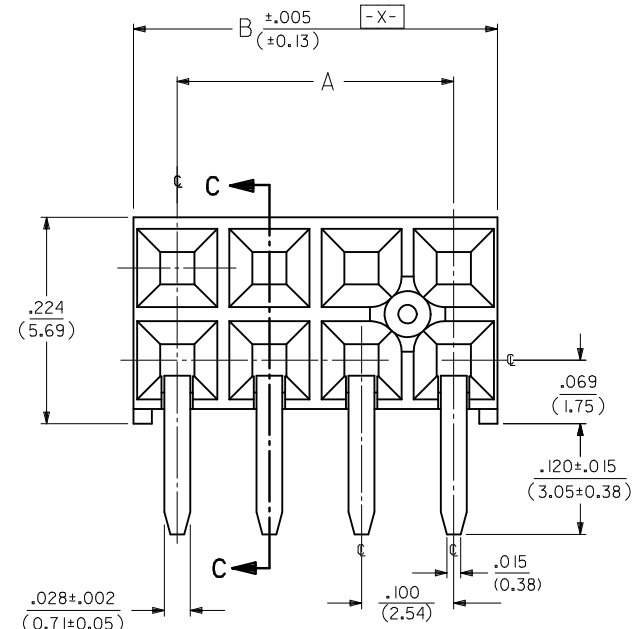
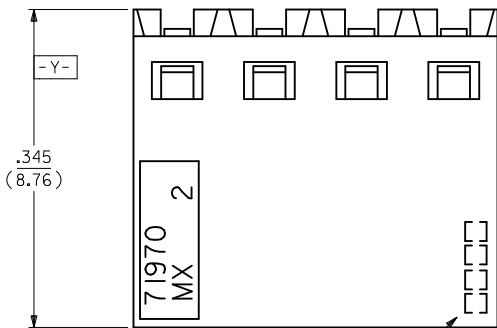
### **Material Info**

### **Reference - Drawing Numbers**

|                       |                |
|-----------------------|----------------|
| Product Specification | PS-71973-9999  |
| Sales Drawing         | SDA-71973-**** |

This document was generated on 05/31/2010

**PLEASE CHECK [WWW.MOLEX.COM](http://WWW.MOLEX.COM) FOR LATEST PART INFORMATION**



⊕ ⊕ .015 ⊕ TAIL TO TAIL  
 ⊕ ⊕ .020 ⊕ X ⊕ Y ⊕ TAIL TO INSULATOR

**OPTION "A" ASSEMBLY**  
 STANDARD HOUSING

NOTE FOR LEAD FREE CONVERSION:  
 THE PRIMARY SHIPPING CARTON WILL BE LABELED "COMPLIANT TO ROHS DIRECTIVE 2002/95/EC AND ELV ANNEX II OF DIRECTIVE 2000/53/EC". CARTONS WITHOUT THIS LABEL MAY CONTAIN PRODUCT WITH LEAD.

**NOTES:**

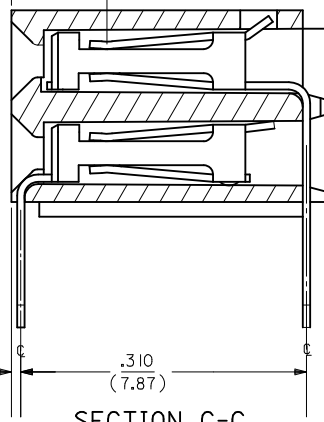
- 1.) MATERIAL -  
 INSULATOR - LCP, UL 94V-0, COLOR BLACK  
 CONTACTS - PHOSPHOR BRONZE
- 2.) SEE SHT. 5 & 6 FOR CHART DIMENSIONS AND EDP NO.'S
- 3.) RECOMMENDED MATING PIN LENGTH:  
 LOWER ROW - .200" MIN., .285" MAX.  
 UPPER ROW - .200" MIN.
- 4.) REFER TO PRODUCT SPECIFICATION PS-71973-9999 FOR PERFORMANCE DATA
- 5.) MANUFACTURED DATE CODE - YEAR, WEEK.
- 6.) PACKAGING: FOR THIS PRODUCT IN TUBES SEE SHT. 6 & 7  
 FOR THIS PRODUCT IN TRAYS SEE SHT. 8 & 9

**FINISHES**

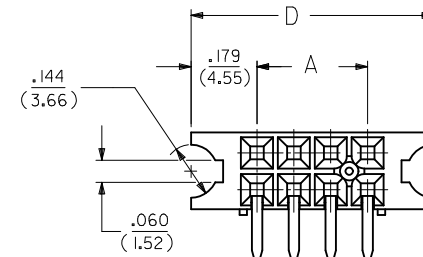
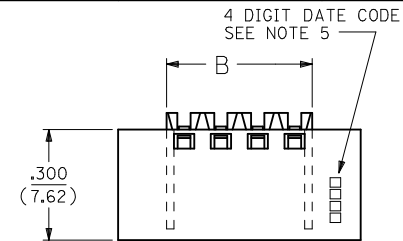
- 15 GOLD .000015 MINIMUM GOLD PLATE IN SELECT AREA OVER  
 .000050 MINIMUM NICKEL UNDERPLATE OVER-ALL WITH  
 .000075 MINIMUM TIN PLATE IN SELECT AREA.
- 30 GOLD .000030 MINIMUM GOLD PLATE IN SELECT AREA OVER  
 .000050 MINIMUM NICKEL UNDERPLATE OVER-ALL WITH  
 .000075 MINIMUM TIN PLATE IN SELECT AREA.
- 50 GOLD .000050 MINIMUM GOLD PLATE IN SELECT AREA OVER  
 .000050 MINIMUM NICKEL UNDERPLATE OVER-ALL WITH  
 .000100 MINIMUM TIN PLATE IN SELECT AREA.

.105  
 (2.67)

POINT OF CONTACT

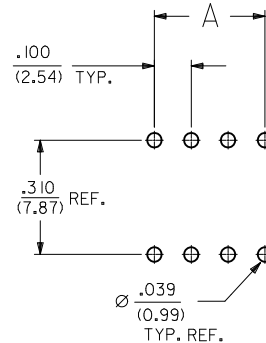


**SECTION C-C**



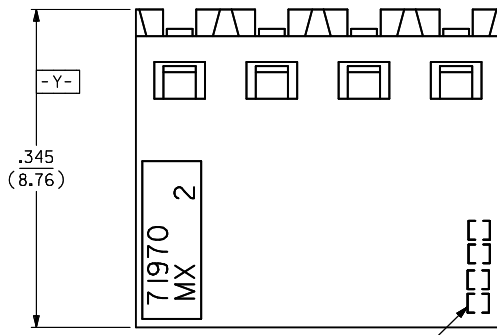
**OPTION "B" ASSEMBLY**  
 STD. HOUSING W/MOUNTING EARS  
 SCALE 4:1  
 REFER TO OPT. A FOR ALL OTHER INFORMATION

**OPTION "J" ASSEMBLY**  
 OPTION "J" IS THE SAME AS OPTION "B" EXCEPT  
 DATE CODE IS NOT STAMPED ON HOUSING.

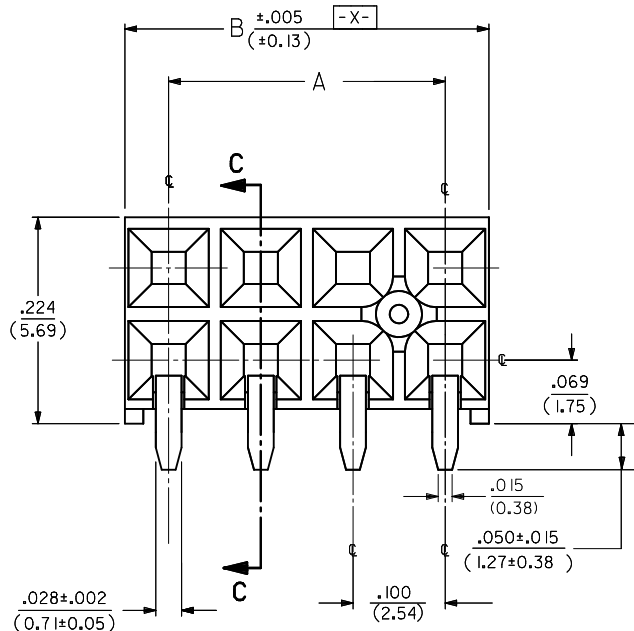


**RECOMMENDED P.C.B. LAYOUT**

|  |  |  |  |  |                           |   |                        |  |
|--|--|--|--|--|---------------------------|---|------------------------|--|
| ADD OPTION K & L<br>EC NO: S2010-0534<br>DRWN:SKANG 2009/12/30<br>CHKD:ATSEE 2010/01/08<br>APPR:MLONG 2010/01/14 | QUALITY SYMBOLS<br>$F_A=0$<br>$F_C=0$<br>$F_P=0$ | GENERAL TOLERANCES (UNLESS SPECIFIED)                      |  | DIMENSION STYLE  | SCALE                     | DESIGN UNITS  | THIRD ANGLE PROJECTION |  |
|  |  |  |  | IN/MM  | NTS                       | INCH  |                        |  |
|  |  |  |  | DRAWN BY   | DATE                      | TITLE   |                        |  |
|  |  |  |  | CHECKED BY   | DATE                      | EARLY ENTRY R/A RECPT<br>.120"PC TAIL W/O LOWER<br>ROW PINSTOP-.100" GRID |                        |  |
|  |  | APPROVED BY  |  | DATE   | MOLEX INCORPORATED        |   |                        |  |
|  |  | MATERIAL NO.   |  | 2010/01/14   | DOCUMENT NO.              |   |                        |  |
|  |  | DRAFT WHERE APPLICABLE<br>MUST REMAIN<br>WITHIN DIMENSIONS |  | SIZE   | SHEET NO.                 |   |                        |  |
|  |  | ANGULAR ±1/2°  |  | A3   | SDA-71973-****<br>1 OF 26 |   |                        |  |
|  |  | DRAWN BY   |  | THIS DRAWING CONTAINS INFORMATION THAT IS PROPRIETARY TO MOLEX<br>INCORPORATED AND SHOULD NOT BE USED WITHOUT WRITTEN PERMISSION |                           |   |                        |  |
|  |  | DATE   |  |  |                           |   |                        |  |
|  |  | CHECKED BY   |  |  |                           |   |                        |  |
|  |  | DATE   |  |  |                           |   |                        |  |
|  |  | APPROVED BY  |  |  |                           |   |                        |  |
|  |  | DATE   |  |  |                           |   |                        |  |



4 DIGIT DATE CODE  
SEE NOTE 5



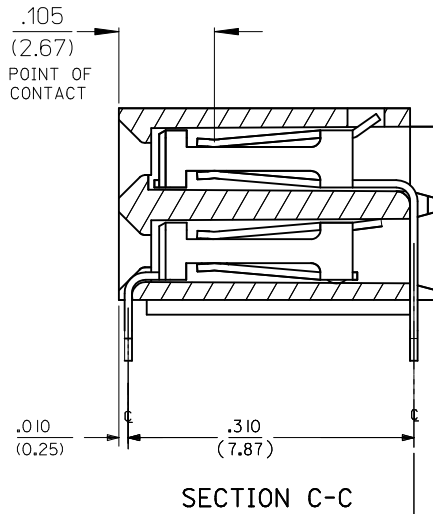
⊕ ∅ .015 (S) TAIL TO TAIL  
⊕ ∅ .020 (S) X (S) Y (S) TAIL TO INSULATOR

**OPTION "C" ASSEMBLY**  
STANDARD HOUSING

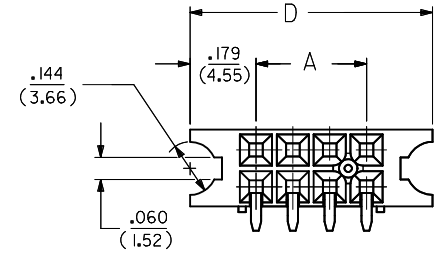
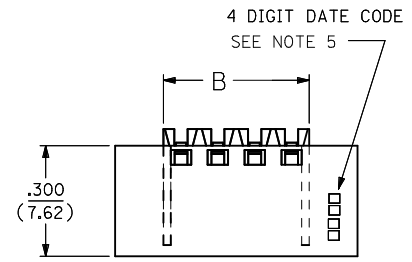
- NOTES:**
- MATERIAL-  
INSULATOR - LCP, UL 94V-0, COLOR BLACK  
CONTACTS - PHOSPHOR BRONZE
  - SEE SHT. 9 & 10 FOR CHART DIMENSIONS AND EDP NO.'S
  - RECOMMENDED MATING PIN LENGTH:  
LOWER ROW - .200" MIN., .285" MAX.  
UPPER ROW - .200" MIN.
  - REFER TO PRODUCT SPECIFICATION PS-71973-9999 FOR PERFORMANCE DATA
  - MANUFACTURED DATE CODE - YEAR, WEEK.
  - PACKAGING: FOR THIS PRODUCT IN TUBES SEE SHT. 10 & 11  
FOR THIS PRODUCT IN TRAYS SEE SHT. 12 & 13

**FINISHES**

- 15 GOLD .000015 MINIMUM GOLD PLATE IN SELECT AREA OVER  
.000050 MINIMUM NICKEL UNDERPLATE OVER-ALL WITH  
.000075 MINIMUM TIN PLATE IN SELECT AREA.
- 30 GOLD .000030 MINIMUM GOLD PLATE IN SELECT AREA OVER  
.000050 MINIMUM NICKEL UNDERPLATE OVER-ALL WITH  
.000075 MINIMUM TIN PLATE IN SELECT AREA.
- 50 GOLD .000050 MINIMUM GOLD PLATE IN SELECT AREA OVER  
.000050 MINIMUM NICKEL UNDERPLATE OVER-ALL WITH  
.000100 MINIMUM TIN PLATE IN SELECT AREA.

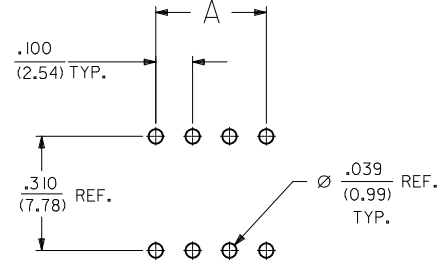


SECTION C-C



**OPTION "D" ASSEMBLY**  
STD. HOUSING W/MOUNTING EARS  
SCALE 4:1

REFER TO OPT. C FOR ALL OTHER INFORMATION



RECOMMENDED P.C.B. LAYOUT

**NOTE FOR LEAD FREE CONVERSION:**  
THE PRIMARY SHIPPING CARTON WILL BE LABELED "COMPLIANT TO RoHS DIRECTIVE 2002/95/EC AND ELV ANNEX II OF DIRECTIVE 2000/53/EC". CARTONS WITHOUT THIS LABEL MAY CONTAIN PRODUCT WITH LEAD.

|  |                    |                                       |                 |       |              |                        |
|--|--------------------|---------------------------------------|-----------------|-------|--------------|------------------------|
| ADD OPTION K & L<br>EC NO: S2010-0534<br>DRWN:SKANG 2009/12/30<br>CHKD:ATSEE 2010/01/08<br>APPR:MLONG 2010/01/14 | QUALITY SYMBOLS    | GENERAL TOLERANCES (UNLESS SPECIFIED) | DIMENSION STYLE | SCALE | DESIGN UNITS | THIRD ANGLE PROJECTION |
|  | ▽ <sub>A</sub> = 0 | mm INCH                               | IN/MM           | NTS   | INCH         |                        |
|  | ▽ <sub>E</sub> = 0 | 4 PLACES ± --- ± ---                  | DRAWN BY DATE   |       |              |                        |
|  | ▽ <sub>F</sub> = 0 | 3 PLACES ± --- ± .010                 | CHECKED BY DATE |       |              |                        |

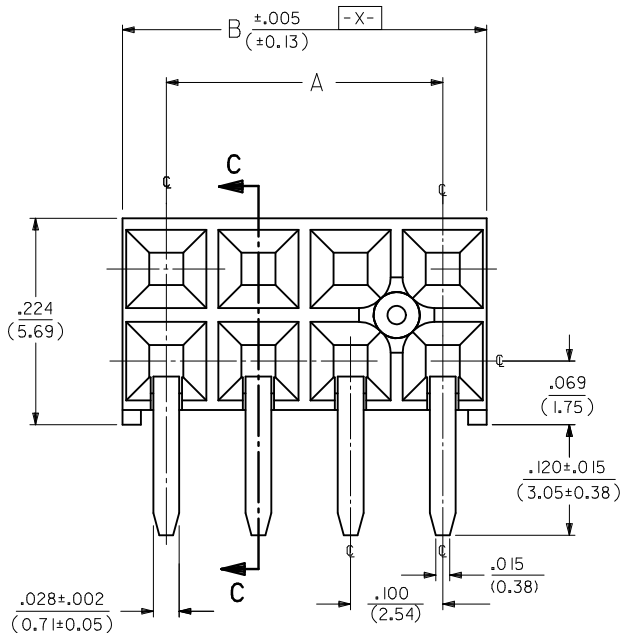
|  |                  |              |
|--|------------------|--------------|
| 4 PLACES ± --- ± ---                                 | DRAWN BY DATE    | TITLE        |
| 3 PLACES ± --- ± .010                                | CHECKED BY DATE  |              |
| 2 PLACES ± 0.25 ± ---                                | APPROVED BY DATE |              |
| 1 PLACE ± --- ± ---                                  | MLONG 2010/01/14 |              |
| ANGULAR ± 1/2°                                       | MATERIAL NO.     | DOCUMENT NO. |
| DRAFT WHERE APPLICABLE MUST REMAIN WITHIN DIMENSIONS | SEE TABLE        |              |
|  | SIZE A3          |              |

|            |  |
|------------|--|
| 1991/10/21 | EARLY ENTRY R/A RECPT                          |
| 1991/10/21 | .120" PC TAIL W/O LOWER ROW PINSTOP-.100" GRID |
| 2010/01/14 | MOLEX INCORPORATED                             |
|            | SDA-71973-****                                 |

|         |   |
|---------|---|
| 2 OF 26 | THIS DRAWING CONTAINS INFORMATION THAT IS PROPRIETARY TO MOLEX INCORPORATED AND SHOULD NOT BE USED WITHOUT WRITTEN PERMISSION |
|---------|---|



4 DIGIT DATE CODE  
SEE NOTE 5



- ⊕ ∅ .015 ⊕ TAIL TO TAIL
- ⊕ ∅ .020 ⊕ X ⊕ Y ⊕ TAIL TO INSULATOR

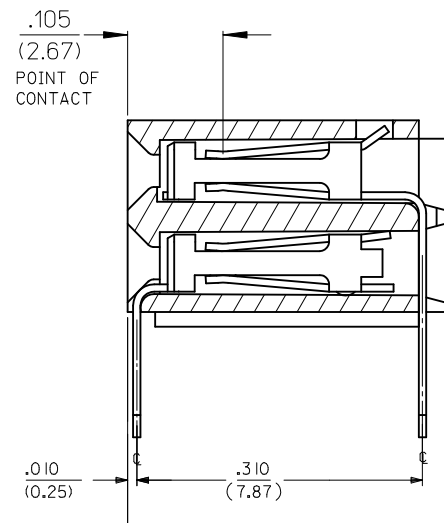
**OPTION "E" ASSEMBLY**  
STANDARD HOUSING

NOTE FOR LEAD FREE CONVERSION:  
THE PRIMARY SHIPPING CARTON WILL BE LABELED "COMPLIANT TO ROHS DIRECTIVE 2002/95/EC AND ELV ANNEX II OF DIRECTIVE 2000/53/EC". CARTONS WITHOUT THIS LABEL MAY CONTAIN PRODUCT WITH LEAD.

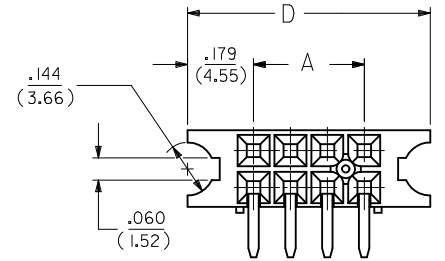
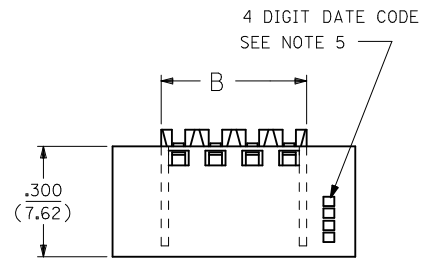
- NOTES:**
- MATERIAL -  
INSULATOR - LCP, UL 94V-0, COLOR BLACK  
CONTACTS - PHOSPHOR BRONZE
  - SEE SHT. 13 & 14 FOR CHART DIMENSIONS AND EDP NO.'S
  - RECOMMENDED MATING PIN LENGTH:  
LOWER ROW - .200" MIN., .250" MAX.  
UPPER ROW - .200" MIN.
  - REFER TO PRODUCT SPECIFICATION PS-71973-9999 FOR PERFORMANCE DATA
  - MANUFACTURED DATE CODE - YEAR, WEEK.
  - PACKAGING: FOR THIS PRODUCT IN TUBES SEE SHT. 14 & 15  
FOR THIS PRODUCT IN TRAYS SEE SHT. 16 & 17

**FINISHES**

- 15 GOLD .000015 MINIMUM GOLD PLATE IN SELECT AREA OVER .000050 MINIMUM NICKEL UNDERPLATE OVER-ALL WITH .000075 MINIMUM TIN PLATE IN SELECT AREA.
- 30 GOLD .000030 MINIMUM GOLD PLATE IN SELECT AREA OVER .000050 MINIMUM NICKEL UNDERPLATE OVER-ALL WITH .000075 MINIMUM TIN PLATE IN SELECT AREA.
- 50 GOLD .000050 MINIMUM GOLD PLATE IN SELECT AREA OVER .000050 MINIMUM NICKEL UNDERPLATE OVER-ALL WITH .000100 MINIMUM TIN PLATE IN SELECT AREA.

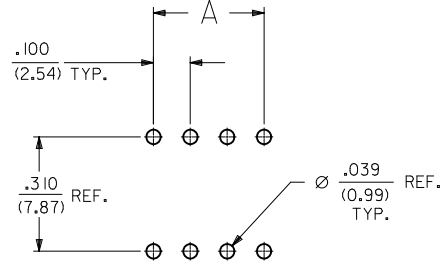


**SECTION C-C**



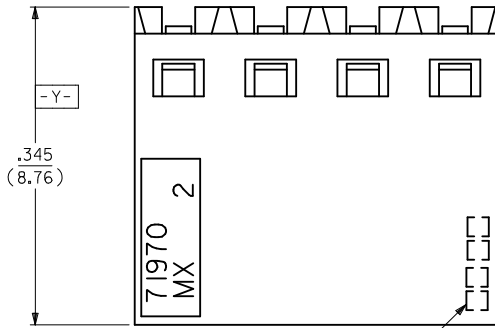
**OPTION "F" ASSEMBLY**  
STD. HOUSING W/MOUNTING EARS  
AND LOWER ROW PINSTOP  
SCALE 4:1

REFER TO OPT. E FOR ALL OTHER INFORMATION

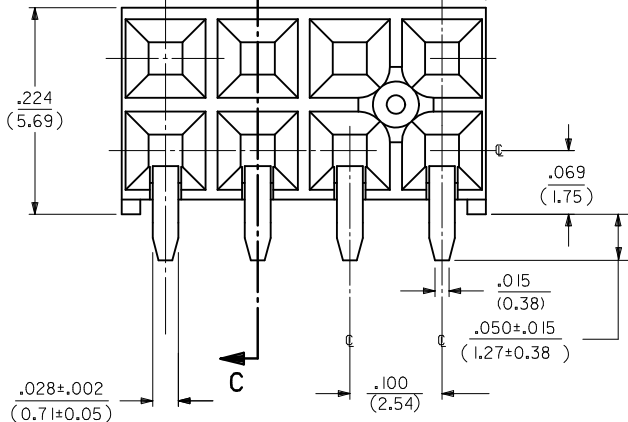
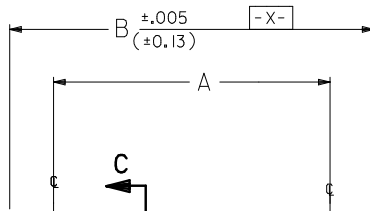


**RECOMMENDED P.C.B. LAYOUT**

|  |                  |                                     |   |                           |                          |                      |   |                      |                        |  |  |
|--|------------------|-------------------------------------|---|---------------------------|--------------------------|----------------------|---|----------------------|------------------------|--|--|
| ADD OPTION K & L<br>EC NO: S2010-0534<br>DRWN:SKANG 2009/12/30<br>CHKD:ATSEE 2010/01/08<br>APPR:MLONG 2010/01/14 | DESCRIPTION<br>K | QUALITY SYMBOLS                     | GENERAL TOLERANCES (UNLESS SPECIFIED)   |                           | DIMENSION STYLE<br>IN/MM |                      | SCALE<br>NTS  | DESIGN UNITS<br>INCH | THIRD ANGLE PROJECTION |  |  |
|  |                  | $F_A = 0$<br>$F_C = 0$<br>$F_P = 0$ | mm      INCH<br>4 PLACES ± --- ± ---<br>3 PLACES ± --- ± .010<br>2 PLACES ± 0.25 ± ---<br>1 PLACE ± --- ± ---<br>ANGULAR ± 1/2° | DRAWN BY<br>DJB           | DATE<br>1991/10/21       | TITLE                | EARLY ENTRY R/A RECPT<br>.120" PC TAIL W/O LOWER ROW PINSTOP-.100" GRID |                      |                        |  |  |
|  |                  |                                     | DRAFT WHERE APPLICABLE MUST REMAIN WITHIN DIMENSIONS  | CHECKED BY<br>DJB         | DATE<br>1991/10/21       | APPROVED BY<br>MLONG | DATE<br>2010/01/14  | MOLEX INCORPORATED   |                        |  |  |
|  |                  |                                     |   | MATERIAL NO.<br>SEE TABLE | DOCUMENT NO.             | SHEET NO.<br>3 OF 26 |   | SDA-71973-****       |                        |  |  |



4 DIGIT DATE CODE  
SEE NOTE 5



⊕ ∅ .015 ⊕ TAIL TO TAIL  
⊕ ∅ .020 ⊕ X ⊕ Y ⊕ TAIL TO INSULATOR

**OPTION "G" ASSEMBLY**  
STANDARD HOUSING

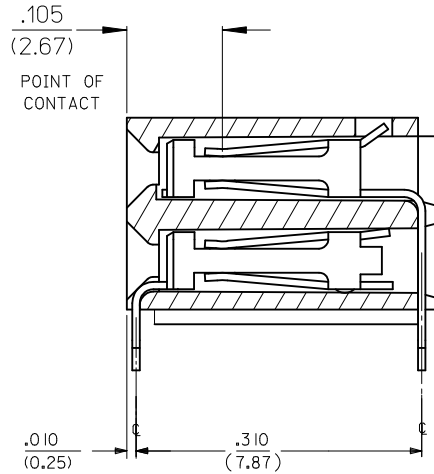
NOTE FOR LEAD FREE CONVERSION:

THE PRIMARY SHIPPING CARTON WILL BE LABELED \*COMPLIANT TO RoHS DIRECTIVE 2002/95/EC AND ELV ANNEX II OF DIRECTIVE 2000/53/EC\*. CARTONS WITHOUT THIS LABEL MAY CONTAIN PRODUCT WITH LEAD.

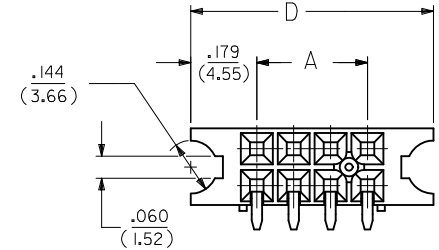
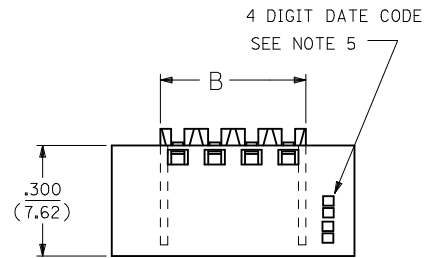
- NOTES:**
- MATERIAL -  
INSULATOR - LCP, UL 94V-0, COLOR BLACK  
CONTACTS - PHOSPHOR BRONZE
  - SEE SHT. 17 & 18 FOR CHART DIMENSIONS AND EDP NO.'S
  - RECOMMENDED MATING PIN LENGTH:  
LOWER ROW - .200" MIN., .250" MAX.  
UPPER ROW - .200" MIN.
  - REFER TO PRODUCT SPECIFICATION PS-71973-9999 FOR PERFORMANCE DATA
  - MANUFACTURED DATE CODE - YEAR, WEEK.
  - PACKAGING: FOR THIS PRODUCT IN TUBES SEE SHT. 18 & 19  
FOR THIS PRODUCT IN TRAYS SEE SHT. 20 & 21

**FINISHES**

- 15 GOLD .000015 MINIMUM GOLD PLATE IN SELECT AREA OVER .000050 MINIMUM NICKEL UNDERPLATE OVER-ALL WITH .000075 MINIMUM TIN PLATE IN SELECT AREA.
- 30 GOLD .000030 MINIMUM GOLD PLATE IN SELECT AREA OVER .000050 MINIMUM NICKEL UNDERPLATE OVER-ALL WITH .000075 MINIMUM TIN PLATE IN SELECT AREA.
- 50 GOLD .000050 MINIMUM GOLD PLATE IN SELECT AREA OVER .000050 MINIMUM NICKEL UNDERPLATE OVER-ALL WITH .000100 MINIMUM TIN PLATE IN SELECT AREA.

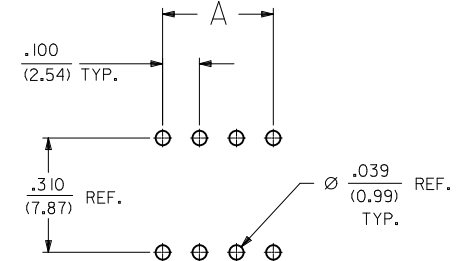


**SECTION C-C**



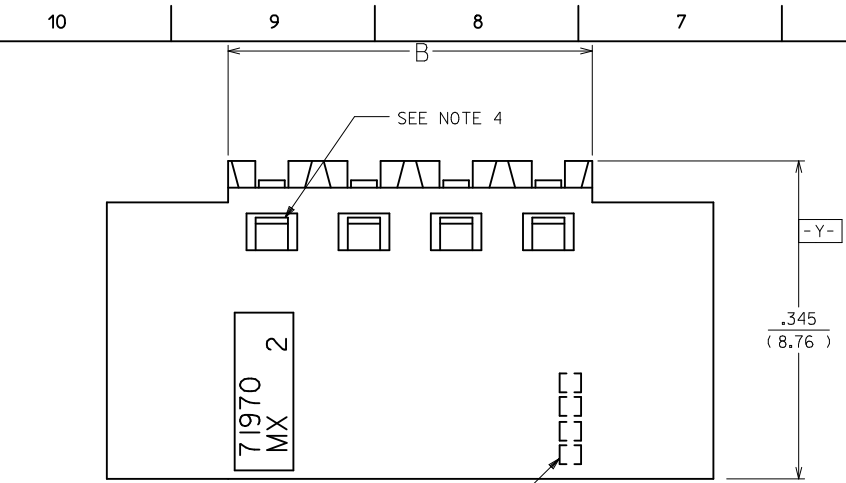
**OPTION "H" ASSEMBLY**  
STD. HOUSING W/MOUNTING EARS  
AND LOWER PINSTOP  
SCALE 4:1

REFER TO OPT. G FOR ALL OTHER INFORMATION

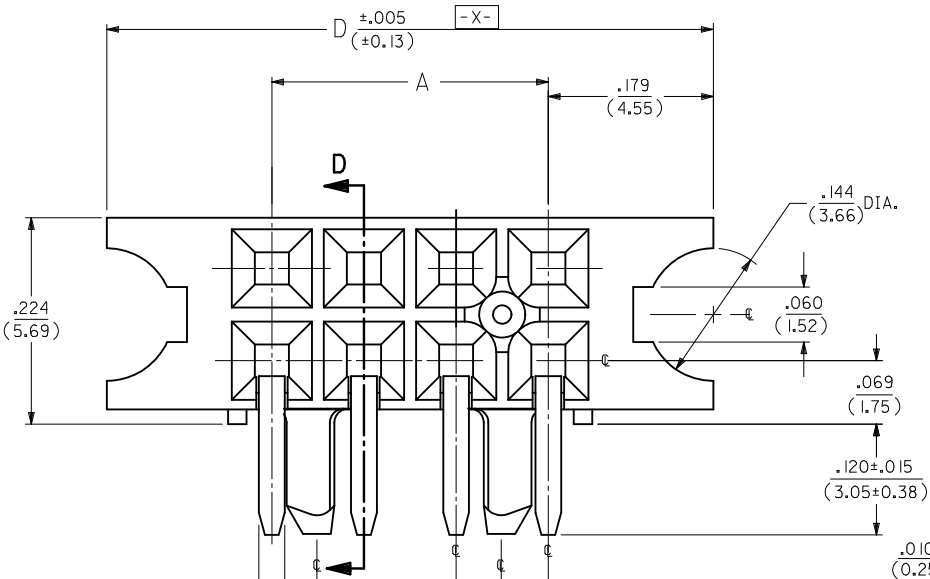


**RECOMMENDED P.C.B. LAYOUT**

|  |   |  |  |  |  |  |
|--|---|--|--|--|--|--|
| <b>ADD OPTION K &amp; L</b><br>EC NO: S2010-0534<br>DRWN:SKANG 2009/12/30<br>CHYKD:ATSEE 2010/01/08<br>APPR:MLONG 2010/01/14 | QUALITY SYMBOLS<br>$F_A = 0$<br>$F_G = 0$<br>$F_P = 0$  | GENERAL TOLERANCES (UNLESS SPECIFIED)<br>mm INCH<br>4 PLACES ± --- ± ---<br>3 PLACES ± --- ± .010<br>2 PLACES ± 0.25 ± ---<br>1 PLACE ± --- ± ---<br>ANGULAR ± 1/2°      | DIMENSION STYLE<br>IN/MM<br>DRAWN BY DATE<br>DJB 1991/10/21<br>CHECKED BY DATE<br>DJB 1991/10/21<br>APPROVED BY DATE<br>MLONG 2010/01/14 | SCALE<br>NTS<br>DESIGN UNITS<br>INCH<br>THIRD ANGLE PROJECTION | TITLE<br>EARLY ENTRY R/A RECPT<br>.120" PC TAIL W/O LOWER ROW PINSTOP-.100" GRID<br>MOLEX INCORPORATED<br>DOCUMENT NO.<br>SDA-71973-****<br>SHEET NO.<br>4 OF 26 |  |
|  | DRAFT WHERE APPLICABLE<br>MUST REMAIN WITHIN DIMENSIONS | MATERIAL NO.<br>SEE TABLE<br>SIZE<br>A3<br>THIS DRAWING CONTAINS INFORMATION THAT IS PROPRIETARY TO MOLEX INCORPORATED AND SHOULD NOT BE USED WITHOUT WRITTEN PERMISSION |  |  |  |  |
|  | REV<br>K  | DESCRIPTION  |  |  |  |  |
|  | MOLEX INCORPORATED                                      |  |  |  |  |  |



4 DIGIT DATE CODE  
SEE NOTE 5

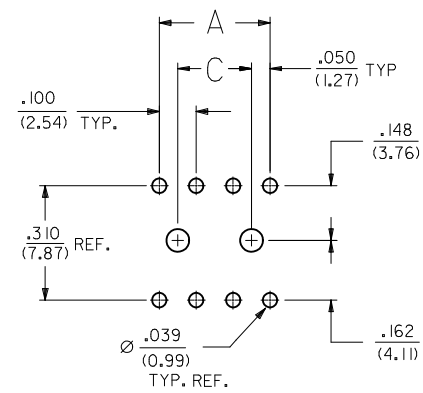


.028±.002  
(0.71±0.05)

⊕ ∅ .015 ⊗ TAIL TO TAIL  
 ⊕ ∅ .020 ⊗ X ⊗ Y ⊗ TAIL TO INSULATOR  
 (SEE NOTE 7)

OPTION "I" ASSEMBLY

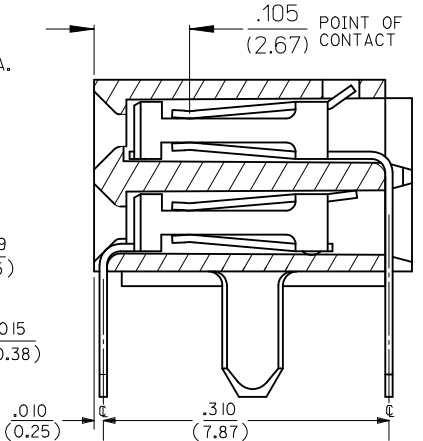
STANDARD HOUSING W/ PEGS AND MOUNTING EARS



RECOMMENDED P.C.B.  
LAYOUT

SCALE 4:1

SECTION D-D



NOTES:

- 1.) MATERIAL -  
INSULATOR - LCP, UL 94V-0, COLOR BLACK  
CONTACTS - PHOSPHOR BRONZE
- 2.) SEE SHT. 22 FOR CHART DIMENSIONS AND ITEM NO.'S
- 3.) RECOMMENDED MATING PIN LENGTH:  
LOWER ROW - .200" MINIMUM, .285" MAX.  
UPPER ROW - .200" MINIMUM
- 4.) REFER TO PRODUCT SPECIFICATION PS-71973-9999 FOR PERFORMANCE DATA
- 5.) MANUFACTURED DATE CODE - YEAR, WEEK.
- 6.) PACKAGING: FOR THIS PRODUCT IN TUBES SEE SHT. 22

FINISHES PER ES-88-(\*\*\*)

- 15 GOLD .000015 MINIMUM GOLD PLATE IN SELECT AREA OVER .000050 MINIMUM NICKEL UNDERPLATE OVER-ALL WITH .000075 MINIMUM TIN PLATE IN SELECT AREA.
- 30 GOLD .000030 MINIMUM GOLD PLATE IN SELECT AREA OVER .000050 MINIMUM NICKEL UNDERPLATE OVER-ALL WITH .000075 MINIMUM TIN PLATE IN SELECT AREA.
- 50 GOLD .000050 MINIMUM GOLD PLATE IN SELECT AREA OVER .000050 MINIMUM NICKEL UNDERPLATE OVER-ALL WITH .000100 MINIMUM TIN PLATE IN SELECT AREA.

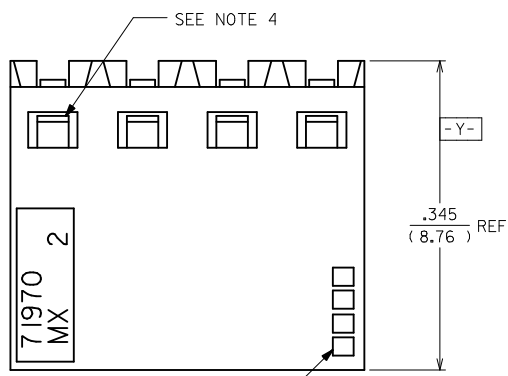
NOTE FOR LEAD FREE CONVERSION:

THE PRIMARY SHIPPING CARTON WILL BE LABELED "COMPLIANT TO ROHS DIRECTIVE 2002/95/EC AND ELV ANNEX II OF DIRECTIVE 2000/53/EC". CARTONS WITHOUT THIS LABEL MAY CONTAIN PRODUCT WITH LEAD.

|                  |                   |            |
|------------------|-------------------|------------|
| ADD OPTION K & L | EC NO: S2010-0534 | 2009/12/30 |
|                  | DRWN:SKANG        | 2010/01/08 |
| K                | CHKD:ATSEE        | 2010/01/14 |
|                  | APPR:MLONG        | 2010/01/14 |
| REV              | DESCRIPTION       |            |

|                                       |  |
|---------------------------------------|--|
| QUALITY SYMBOLS                       | $F_A=0$  |
|                                       | $F_C=0$  |
| GENERAL TOLERANCES (UNLESS SPECIFIED) | ANGULAR $\pm 1/2^\circ$                              |
|                                       | DRAFT WHERE APPLICABLE MUST REMAIN WITHIN DIMENSIONS |

|                 |   |   |              |                        |
|-----------------|---|---|--------------|------------------------|
| DIMENSION STYLE |   | SCALE   | DESIGN UNITS | THIRD ANGLE PROJECTION |
| IN/MM           |   | NTS   | INCH         |                        |
| DRAWN BY        | DATE  | TITLE   |              |                        |
| DJB             | 1991/10/21  | EARLY ENTRY R/A RECPT                         |              |                        |
| CHECKED BY      | DATE  | .120"PC TAIL W/O LOWER ROW PINSTOP-.100" GRID |              |                        |
| DJB             | 1991/10/21  | MOLEX INCORPORATED                            |              |                        |
| APPROVED BY     | DATE  | MOLEX INCORPORATED                            |              |                        |
| MLONG           | 2010/01/14  | SDA-71973-****                                |              |                        |
| MATERIAL NO.    | DOCUMENT NO.  | SHEET NO.                                     |              |                        |
| SEE TABLE       |   | 5 OF 26                                       |              |                        |
| SIZE            | THIS DRAWING CONTAINS INFORMATION THAT IS PROPRIETARY TO MOLEX INCORPORATED AND SHOULD NOT BE USED WITHOUT WRITTEN PERMISSION |   |              |                        |
| A3              |   |   |              |                        |



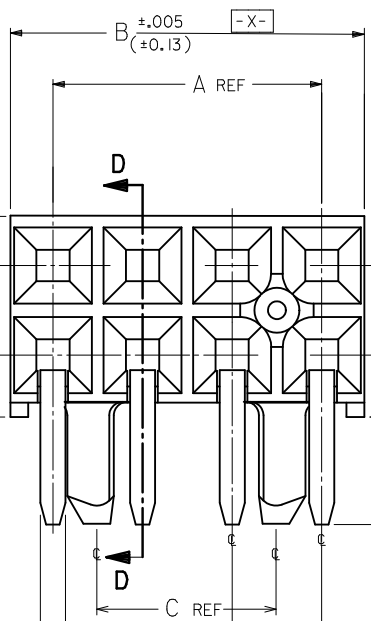
4 DIGIT DATE CODE  
SEE NOTE 5

**FINISHES**

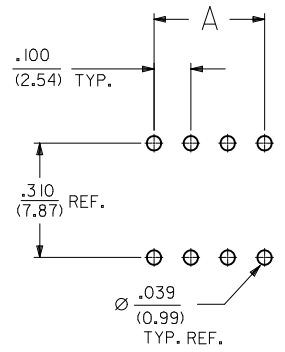
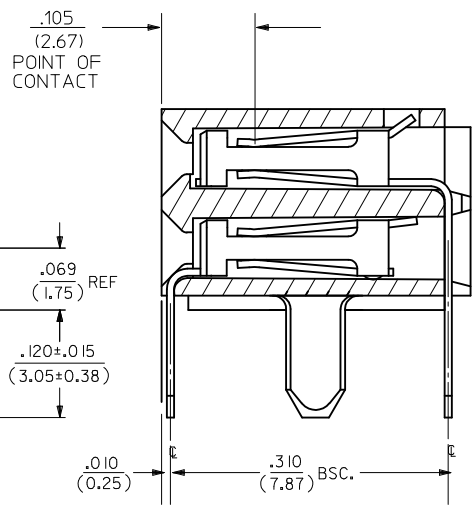
- 15 GOLD .000015 MINIMUM GOLD PLATE IN SELECT AREA OVER  
.000050 MINIMUM NICKEL UNDERPLATE OVER-ALL WITH  
.000075 MINIMUM TIN PLATE IN SELECT AREA.
- 30 GOLD .000030 MINIMUM GOLD PLATE IN SELECT AREA OVER  
.000050 MINIMUM NICKEL UNDERPLATE OVER-ALL WITH  
.000075 MINIMUM TIN PLATE IN SELECT AREA.
- 50 GOLD .000050 MINIMUM GOLD PLATE IN SELECT AREA OVER  
.000050 MINIMUM NICKEL UNDERPLATE OVER-ALL WITH  
.000100 MINIMUM TIN PLATE IN SELECT AREA.

**NOTES:**

- 1.) MATERIAL -  
INSULATOR - LCP, UL 94V-0, COLOR BLACK  
CONTACTS - PHOSPHOR BRONZE
- 2.) SEE SHT. 25 FOR CHART DIMENSIONS AND ITEM NO.'S
- 3.) RECOMMENDED MATING PIN LENGTH:  
LOWER ROW - .200" MINIMUM, .285" MAX.  
UPPER ROW - .200" MINIMUM
- 4.) REFER TO PRODUCT SPECIFICATION PS-71973-9999 FOR PERFORMANCE DATA
- 5.) MANUFACTURED DATE CODE - YEAR, WEEK.
- 6.) PACKAGING: FOR THIS PRODUCT IN TUBES SEE SHT. 25



**SECTION D-D**



RECOMMENDED P.C.B.  
LAYOUT

.028±.002  
(0.71±0.05)

- ⊕ ⊕ .015 ⊕ TAIL TO TAIL
- ⊕ ⊕ .020 ⊕ X ⊕ Y ⊕ TAIL TO INSULATOR  
(SEE NOTE 8)

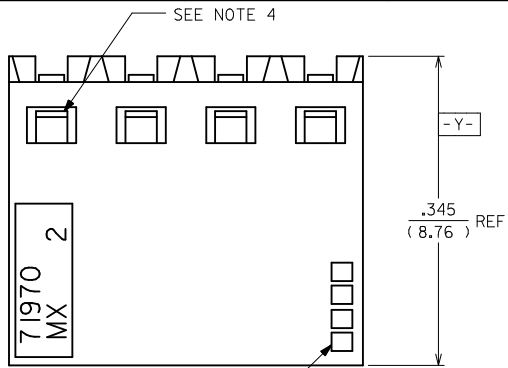
OPTION "K" ASSEMBLY  
STANDARD HOUSING W/ PEGS

| ADD OPTION K & L<br>EC NO: S2010-0534<br>DRWN:SKANG 2009/12/30<br>CHKD:ATSEE 2010/01/08<br>APPR:MLONG 2010/01/14 | QUALITY SYMBOLS               | GENERAL TOLERANCES (UNLESS SPECIFIED)  | DIMENSION STYLE | SCALE | DESIGN UNITS   | THIRD ANGLE PROJECTION |                |        |                 |       |               |       |       |     |      |
|--|-------------------------------|--|-----------------|-------|----------------|------------------------|----------------|--------|-----------------|-------|---------------|-------|-------|-----|------|
|  | $F_A=0$<br>$F_G=0$<br>$F_P=0$ | <table border="1"> <tr><th>mm</th><th>INCH</th></tr> <tr><td>4 PLACES ± ---</td><td>± ---</td></tr> <tr><td>3 PLACES ± ---</td><td>± .010</td></tr> <tr><td>2 PLACES ± 0.25</td><td>± ---</td></tr> <tr><td>1 PLACE ± ---</td><td>± ---</td></tr> </table> | mm              | INCH  | 4 PLACES ± --- | ± ---                  | 3 PLACES ± --- | ± .010 | 2 PLACES ± 0.25 | ± --- | 1 PLACE ± --- | ± --- | IN/MM | NTS | INCH |
| mm   | INCH                          |  |                 |       |                |                        |                |        |                 |       |               |       |       |     |      |
| 4 PLACES ± ---   | ± ---                         |  |                 |       |                |                        |                |        |                 |       |               |       |       |     |      |
| 3 PLACES ± ---   | ± .010                        |  |                 |       |                |                        |                |        |                 |       |               |       |       |     |      |
| 2 PLACES ± 0.25  | ± ---                         |  |                 |       |                |                        |                |        |                 |       |               |       |       |     |      |
| 1 PLACE ± ---  | ± ---                         |  |                 |       |                |                        |                |        |                 |       |               |       |       |     |      |

|  |  |            |
|--|--|------------|
| DRAWN BY<br>DJB  | DATE   | 1991/10/21 |
|  | CHECKED BY   | DATE       |
| APPROVED BY<br>MLONG                                       | DATE   | 2010/01/14 |
|  | MATERIAL NO.   | SEE TABLE  |
| DRAFT WHERE APPLICABLE<br>MUST REMAIN<br>WITHIN DIMENSIONS |  |            |
| SIZE<br>A3   | THIS DRAWING CONTAINS INFORMATION THAT IS PROPRIETARY TO MOLEX<br>INCORPORATED AND SHOULD NOT BE USED WITHOUT WRITTEN PERMISSION |            |

|              |   |
|--------------|---|
| TITLE        | EARLY ENTRY R/A RECPT<br>.120"PC TAIL W/O LOWER<br>ROW PINSTOP-.100" GRID |
| MOLEX        | MOLEX INCORPORATED  |
| DOCUMENT NO. | SDA-71973-****  |
| SHEET NO.    | 6 OF 26   |





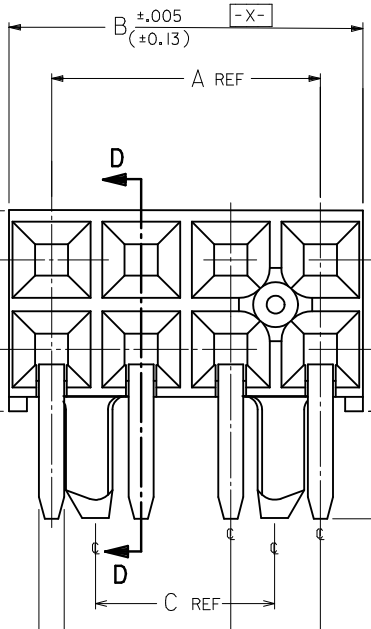
**FINISHES**

15 GOLD .000015 MINIMUM GOLD PLATE IN SELECT AREA OVER  
.000050 MINIMUM NICKEL UNDERPLATE OVER-ALL WITH  
.000075 MINIMUM TIN PLATE IN SELECT AREA.

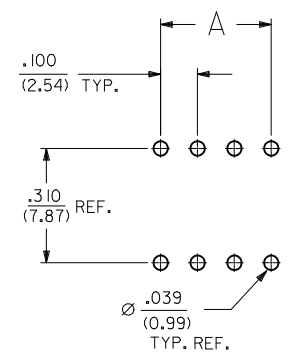
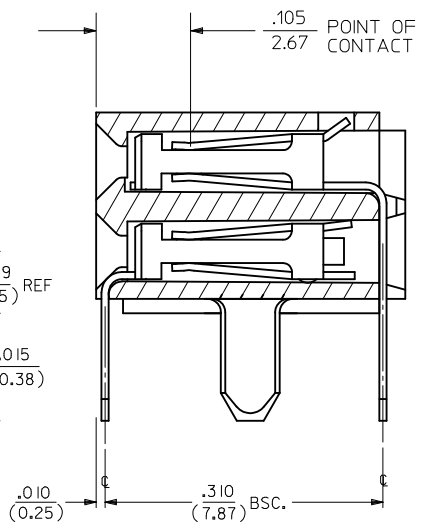
30 GOLD .000030 MINIMUM GOLD PLATE IN SELECT AREA OVER  
.000050 MINIMUM NICKEL UNDERPLATE OVER-ALL WITH  
.000075 MINIMUM TIN PLATE IN SELECT AREA.

50 GOLD .000050 MINIMUM GOLD PLATE IN SELECT AREA OVER  
.000050 MINIMUM NICKEL UNDERPLATE OVER-ALL WITH  
.000100 MINIMUM TIN PLATE IN SELECT AREA.

- NOTES:
- 1.) MATERIAL-  
INSULATOR - LCP, UL 94V-0, COLOR BLACK  
CONTACTS - PHOSPHOR BRONZE
  - 2.) SEE SHT. 22 FOR CHART DIMENSIONS AND ITEM NO.'S
  - 3.) RECOMMENDED MATING PIN LENGTH:  
LOWER ROW - .200" MINIMUM, .250" MAX.  
UPPER ROW - .200" MINIMUM
  - 4.) REFER TO PRODUCT SPECIFICATION PS-71973-9999 FOR PERFORMANCE DATA
  - 5.) MANUFACTURED DATE CODE - YEAR, WEEK.
  - 6.) PACKAGING: FOR THIS PRODUCT IN TUBES SEE SHT. 26



**SECTION D-D**



RECOMMENDED P.C.B. LAYOUT

.028±.002 (0.71±0.05)  
 ⊕ ∅ .015 ⊕ TAIL TO TAIL  
 ⊕ ∅ .020 ⊕ X ⊕ Y ⊕ TAIL TO INSULATOR  
 (SEE NOTE 8)

OPTION "L" ASSEMBLY  
STANDARD HOUSING W/ PEGS

| ADD OPTION K & L<br>EC NO: S2010-0534<br>DRWN:SKANG 2009/12/30<br>CHYKD:ATSEE 2010/01/08<br>APPR:MLONG 2010/01/14                | QUALITY SYMBOLS<br>$\nabla_A = 0$<br>$\nabla_C = 0$<br>$\nabla_P = 0$ | GENERAL TOLERANCES (UNLESS SPECIFIED)<br><table border="1"> <thead> <tr> <th></th> <th>mm</th> <th>INCH</th> </tr> </thead> <tbody> <tr> <td>4 PLACES</td> <td>± ---</td> <td>± ---</td> </tr> <tr> <td>3 PLACES</td> <td>± ---</td> <td>± .010</td> </tr> <tr> <td>2 PLACES</td> <td>± 0.25</td> <td>± ---</td> </tr> <tr> <td>1 PLACE</td> <td>± ---</td> <td>± ---</td> </tr> </tbody> </table> ANGULAR ± 1/2° |                                | mm           | INCH                 | 4 PLACES           | ± --- | ± --- | 3 PLACES | ± --- | ± .010 | 2 PLACES | ± 0.25 | ± --- | 1 PLACE | ± --- | ± --- | DIMENSION STYLE<br>IN/MM<br>DRAWN BY: DJB<br>DATE: 1991/10/21<br>CHECKED BY: DJB<br>DATE: 1991/10/21<br>APPROVED BY: MLONG<br>DATE: 2010/01/14 | SCALE<br>NTS | DESIGN UNITS<br>INCH | THIRD ANGLE PROJECTION |
|--|---|---|--------------------------------|--------------|----------------------|--------------------|-------|-------|----------|-------|--------|----------|--------|-------|---------|-------|-------|--|--------------|----------------------|------------------------|
|  |   | mm  | INCH                           |              |                      |                    |       |       |          |       |        |          |        |       |         |       |       |  |              |                      |                        |
|  | 4 PLACES  | ± ---   | ± ---                          |              |                      |                    |       |       |          |       |        |          |        |       |         |       |       |  |              |                      |                        |
|  | 3 PLACES  | ± ---   | ± .010                         |              |                      |                    |       |       |          |       |        |          |        |       |         |       |       |  |              |                      |                        |
| 2 PLACES   | ± 0.25  | ± ---   |                                |              |                      |                    |       |       |          |       |        |          |        |       |         |       |       |  |              |                      |                        |
| 1 PLACE  | ± ---   | ± ---   |                                |              |                      |                    |       |       |          |       |        |          |        |       |         |       |       |  |              |                      |                        |
| DRAFT WHERE APPLICABLE<br>MUST REMAIN<br>WITHIN DIMENSIONS   | SEE TABLE   | TITLE<br>EARLY ENTRY R/A RECPT<br>.120" PC TAIL W/O LOWER<br>ROW PINSTOP-.100" GRID   | MATERIAL NO.<br>SDA-71973-**** | DOCUMENT NO. | SHEET NO.<br>7 OF 26 | MOLEX INCORPORATED |       |       |          |       |        |          |        |       |         |       |       |  |              |                      |                        |
| THIS DRAWING CONTAINS INFORMATION THAT IS PROPRIETARY TO MOLEX<br>INCORPORATED AND SHOULD NOT BE USED WITHOUT WRITTEN PERMISSION | SIZE<br>A3  |   |                                |              |                      |                    |       |       |          |       |        |          |        |       |         |       |       |  |              |                      |                        |

| 10          |       | 9   |  | 8          |            | 7          |                  | 6                |   | 5 |  | 4           |       | 3   |            | 2          |            | 1       |  |                  |                  |  |  |  |  |  |  |
|-------------|-------|---|--|------------|------------|------------|------------------|------------------|---|---|--|-------------|-------|---|------------|------------|------------|---------|--|------------------|------------------|--|--|--|--|--|--|
| NO. OF CKTS |       | OPTION A ASSEMBLY<br>PACKAGED IN TUBES PER PK-70873-0138<br>(SEE SHEET I FOR FINISH SPECIFICATIONS) |  |            |            |            |                  | DIMENSION        |   |   |  | NO. OF CKTS |       | OPTION A ASSEMBLY<br>PACKAGED IN TUBES PER PK-70873-0138<br>(SEE SHEET I FOR FINISH SPECIFICATIONS) |            |            |            |         |  | DIMENSION        |                  |  |  |  |  |  |  |
| PER ROW     | TOTAL | 15 GOLD   |  | 30 GOLD    |            | 50 GOLD    |                  | A                | B |   |  | PER ROW     | TOTAL | 15 GOLD   |            | 30 GOLD    |            | 50 GOLD |  | A                | B                |  |  |  |  |  |  |
| 4           | 8     |   |  | 71973-0204 | 71973-0304 | 71973-0404 | .300<br>(7.62)   | .395<br>(10.03)  |   |   |  | 33          | 66    |   | 71973-0233 | 71973-0333 | 71973-0433 |         |  | 3.200<br>(81.28) | 3.295<br>(83.69) |  |  |  |  |  |  |
| 5           | 10    |   |  | 71973-0205 | 71973-0305 | 71973-0405 | .400<br>(10.16)  | .495<br>(12.57)  |   |   |  | 34          | 68    |   | 71973-0234 | 71973-0334 | 71973-0434 |         |  | 3.300<br>(83.82) | 3.395<br>(86.23) |  |  |  |  |  |  |
| 6           | 12    |   |  | 71973-0206 | 71973-0306 | 71973-0406 | .500<br>(12.70)  | .595<br>(15.11)  |   |   |  | 35          | 70    |   | 71973-0235 | 71973-0335 | 71973-0435 |         |  | 3.400<br>(86.36) | 3.495<br>(88.77) |  |  |  |  |  |  |
| 7           | 14    |   |  | 71973-0207 | 71973-0307 | 71973-0407 | .600<br>(15.24)  | .695<br>(17.65)  |   |   |  | 36          | 72    |   | 71973-0236 | 71973-0336 | 71973-0436 |         |  | 3.500<br>(88.90) | 3.595<br>(91.31) |  |  |  |  |  |  |
| 8           | 16    |   |  | 71973-0208 | 71973-0308 | 71973-0408 | .700<br>(17.78)  | .795<br>(20.19)  |   |   |  |             |       |   |            |            |            |         |  |                  |                  |  |  |  |  |  |  |
| 9           | 18    |   |  | 71973-0209 | 71973-0309 | 71973-0409 | .800<br>(20.32)  | .895<br>(22.73)  |   |   |  |             |       |   |            |            |            |         |  |                  |                  |  |  |  |  |  |  |
| 10          | 20    |   |  | 71973-0210 | 71973-0310 | 71973-0410 | .900<br>(22.86)  | .995<br>(25.27)  |   |   |  |             |       |   |            |            |            |         |  |                  |                  |  |  |  |  |  |  |
| 11          | 22    |   |  | 71973-0211 | 71973-0311 | 71973-0411 | 1.000<br>(25.40) | 1.095<br>(27.81) |   |   |  |             |       |   |            |            |            |         |  |                  |                  |  |  |  |  |  |  |
| 12          | 24    |   |  | 71973-0212 | 71973-0312 | 71973-0412 | 1.100<br>(27.94) | 1.195<br>(30.35) |   |   |  |             |       |   |            |            |            |         |  |                  |                  |  |  |  |  |  |  |
| 13          | 26    |   |  | 71973-0213 | 71973-0313 | 71973-0413 | 1.200<br>(30.48) | 1.295<br>(32.89) |   |   |  |             |       |   |            |            |            |         |  |                  |                  |  |  |  |  |  |  |
| 14          | 28    |   |  | 71973-0214 | 71973-0314 | 71973-0414 | 1.300<br>(33.02) | 1.395<br>(35.43) |   |   |  |             |       |   |            |            |            |         |  |                  |                  |  |  |  |  |  |  |
| 15          | 30    |   |  | 71973-0215 | 71973-0315 | 71973-0415 | 1.400<br>(35.56) | 1.495<br>(37.97) |   |   |  |             |       |   |            |            |            |         |  |                  |                  |  |  |  |  |  |  |
| 16          | 32    |   |  | 71973-0216 | 71973-0316 | 71973-0416 | 1.500<br>(38.10) | 1.595<br>(40.51) |   |   |  |             |       |   |            |            |            |         |  |                  |                  |  |  |  |  |  |  |
| 17          | 34    |   |  | 71973-0217 | 71973-0317 | 71973-0417 | 1.600<br>(40.64) | 1.695<br>(43.05) |   |   |  |             |       |   |            |            |            |         |  |                  |                  |  |  |  |  |  |  |
| 18          | 36    |   |  | 71973-0218 | 71973-0318 | 71973-0418 | 1.700<br>(43.18) | 1.795<br>(45.59) |   |   |  |             |       |   |            |            |            |         |  |                  |                  |  |  |  |  |  |  |
| 19          | 38    |   |  | 71973-0219 | 71973-0319 | 71973-0419 | 1.800<br>(45.72) | 1.895<br>(48.13) |   |   |  |             |       |   |            |            |            |         |  |                  |                  |  |  |  |  |  |  |
| 20          | 40    |   |  | 71973-0220 | 71973-0320 | 71973-0420 | 1.900<br>(48.26) | 1.995<br>(50.67) |   |   |  |             |       |   |            |            |            |         |  |                  |                  |  |  |  |  |  |  |
| 21          | 42    |   |  | 71973-0221 | 71973-0321 | 71973-0421 | 2.000<br>(50.80) | 2.095<br>(53.21) |   |   |  |             |       |   |            |            |            |         |  |                  |                  |  |  |  |  |  |  |
| 22          | 44    |   |  | 71973-0222 | 71973-0322 | 71973-0422 | 2.100<br>(53.34) | 2.195<br>(55.75) |   |   |  |             |       |   |            |            |            |         |  |                  |                  |  |  |  |  |  |  |
| 23          | 46    |   |  | 71973-0223 | 71973-0323 | 71973-0423 | 2.200<br>(55.88) | 2.295<br>(58.29) |   |   |  |             |       |   |            |            |            |         |  |                  |                  |  |  |  |  |  |  |
| 24          | 48    |   |  | 71973-0224 | 71973-0324 | 71973-0424 | 2.300<br>(58.42) | 2.395<br>(60.83) |   |   |  |             |       |   |            |            |            |         |  |                  |                  |  |  |  |  |  |  |
| 25          | 50    |   |  | 71973-0225 | 71973-0325 | 71973-0425 | 2.400<br>(60.96) | 2.495<br>(63.37) |   |   |  |             |       |   |            |            |            |         |  |                  |                  |  |  |  |  |  |  |
| 26          | 52    |   |  | 71973-0226 | 71973-0326 | 71973-0426 | 2.500<br>(63.50) | 2.595<br>(65.91) |   |   |  |             |       |   |            |            |            |         |  |                  |                  |  |  |  |  |  |  |
| 27          | 54    |   |  | 71973-0227 | 71973-0327 | 71973-0427 | 2.600<br>(66.04) | 2.695<br>(68.45) |   |   |  |             |       |   |            |            |            |         |  |                  |                  |  |  |  |  |  |  |
| 28          | 56    |   |  | 71973-0228 | 71973-0328 | 71973-0428 | 2.700<br>(68.58) | 2.795<br>(70.99) |   |   |  |             |       |   |            |            |            |         |  |                  |                  |  |  |  |  |  |  |
| 29          | 58    |   |  | 71973-0229 | 71973-0329 | 71973-0429 | 2.800<br>(71.12) | 2.895<br>(73.53) |   |   |  |             |       |   |            |            |            |         |  |                  |                  |  |  |  |  |  |  |
| 30          | 60    |   |  | 71973-0230 | 71973-0330 | 71973-0430 | 2.900<br>(73.66) | 2.995<br>(76.07) |   |   |  |             |       |   |            |            |            |         |  |                  |                  |  |  |  |  |  |  |
| 31          | 62    |   |  | 71973-0231 | 71973-0331 | 71973-0431 | 3.000<br>(76.20) | 3.095<br>(78.61) |   |   |  |             |       |   |            |            |            |         |  |                  |                  |  |  |  |  |  |  |
| 32          | 64    |   |  | 71973-0232 | 71973-0332 | 71973-0432 | 3.100<br>(78.74) | 3.195<br>(81.15) |   |   |  |             |       |   |            |            |            |         |  |                  |                  |  |  |  |  |  |  |

| <b>ADD OPTION K &amp; L</b><br>EC NO: S2010-0534<br>DRWN:SKANG 2009/12/30<br>CHKD:ATSEE 2010/01/08<br>APPR:MLONG 2010/01/14 | QUALITY SYMBOLS<br>$F_A=0$<br>$F_G=0$<br>$F_P=0$ | GENERAL TOLERANCES (UNLESS SPECIFIED)   |       | DIMENSION STYLE<br>IN/MM         |    | SCALE<br>NTS                          | DESIGN UNITS<br>INCH | THIRD ANGLE PROJECTION |       |          |       |        |          |        |       |         |       |       |   |  |          |      |     |            |            |      |     |            |             |      |       |            |       |  |  |
|---|--|---|-------|----------------------------------|----|---------------------------------------|----------------------|------------------------|-------|----------|-------|--------|----------|--------|-------|---------|-------|-------|---|--|----------|------|-----|------------|------------|------|-----|------------|-------------|------|-------|------------|-------|--|--|
|   |  | <table border="1"> <tr> <th></th> <th>mm</th> <th>INCH</th> </tr> <tr> <td>4 PLACES</td> <td>± ---</td> <td>± ---</td> </tr> <tr> <td>3 PLACES</td> <td>± ---</td> <td>± .010</td> </tr> <tr> <td>2 PLACES</td> <td>± 0.25</td> <td>± ---</td> </tr> <tr> <td>1 PLACE</td> <td>± ---</td> <td>± ---</td> </tr> </table> |       |                                  | mm | INCH                                  | 4 PLACES             | ± ---                  | ± --- | 3 PLACES | ± --- | ± .010 | 2 PLACES | ± 0.25 | ± --- | 1 PLACE | ± --- | ± --- | <table border="1"> <tr> <th>DRAWN BY</th> <th>DATE</th> </tr> <tr> <td>DJB</td> <td>1991/10/21</td> </tr> <tr> <th>CHECKED BY</th> <th>DATE</th> </tr> <tr> <td>DJB</td> <td>1991/10/21</td> </tr> <tr> <th>APPROVED BY</th> <th>DATE</th> </tr> <tr> <td>MLONG</td> <td>2010/01/14</td> </tr> </table> |  | DRAWN BY | DATE | DJB | 1991/10/21 | CHECKED BY | DATE | DJB | 1991/10/21 | APPROVED BY | DATE | MLONG | 2010/01/14 | TITLE | <b>EARLY ENTRY R/A RECPT<br/>.120°PC TAIL W/O LOWER<br/>ROW PINSTOP-.100" GRID</b> |  |
|   |  |   | mm    | INCH                             |    |                                       |                      |                        |       |          |       |        |          |        |       |         |       |       |   |  |          |      |     |            |            |      |     |            |             |      |       |            |       |  |  |
|   |  | 4 PLACES  | ± --- | ± ---                            |    |                                       |                      |                        |       |          |       |        |          |        |       |         |       |       |   |  |          |      |     |            |            |      |     |            |             |      |       |            |       |  |  |
| 3 PLACES  | ± ---  | ± .010  |       |                                  |    |                                       |                      |                        |       |          |       |        |          |        |       |         |       |       |   |  |          |      |     |            |            |      |     |            |             |      |       |            |       |  |  |
| 2 PLACES  | ± 0.25   | ± ---   |       |                                  |    |                                       |                      |                        |       |          |       |        |          |        |       |         |       |       |   |  |          |      |     |            |            |      |     |            |             |      |       |            |       |  |  |
| 1 PLACE   | ± ---  | ± ---   |       |                                  |    |                                       |                      |                        |       |          |       |        |          |        |       |         |       |       |   |  |          |      |     |            |            |      |     |            |             |      |       |            |       |  |  |
| DRAWN BY  | DATE   |   |       |                                  |    |                                       |                      |                        |       |          |       |        |          |        |       |         |       |       |   |  |          |      |     |            |            |      |     |            |             |      |       |            |       |  |  |
| DJB   | 1991/10/21                                       |   |       |                                  |    |                                       |                      |                        |       |          |       |        |          |        |       |         |       |       |   |  |          |      |     |            |            |      |     |            |             |      |       |            |       |  |  |
| CHECKED BY  | DATE   |   |       |                                  |    |                                       |                      |                        |       |          |       |        |          |        |       |         |       |       |   |  |          |      |     |            |            |      |     |            |             |      |       |            |       |  |  |
| DJB   | 1991/10/21                                       |   |       |                                  |    |                                       |                      |                        |       |          |       |        |          |        |       |         |       |       |   |  |          |      |     |            |            |      |     |            |             |      |       |            |       |  |  |
| APPROVED BY   | DATE   |   |       |                                  |    |                                       |                      |                        |       |          |       |        |          |        |       |         |       |       |   |  |          |      |     |            |            |      |     |            |             |      |       |            |       |  |  |
| MLONG   | 2010/01/14                                       |   |       |                                  |    |                                       |                      |                        |       |          |       |        |          |        |       |         |       |       |   |  |          |      |     |            |            |      |     |            |             |      |       |            |       |  |  |
| DRAFT WHERE APPLICABLE<br>MUST REMAIN<br>WITHIN DIMENSIONS  |  | ANGULAR ±1/2°   |       | MATERIAL NO.<br><b>SEE TABLE</b> |    | DOCUMENT NO.<br><b>SDA-71973-****</b> |                      | SHEET NO.<br>8 OF 26   |       |          |       |        |          |        |       |         |       |       |   |  |          |      |     |            |            |      |     |            |             |      |       |            |       |  |  |

| 10          |       | 9  |            | 8          |            | 7          |                  | 6                |  | 5                |         | 4           |                        | 3  |            | 2          |            | 1                |                  |           |                  |  |  |
|-------------|-------|--|------------|------------|------------|------------|------------------|------------------|--|------------------|---------|-------------|------------------------|--|------------|------------|------------|------------------|------------------|-----------|------------------|--|--|
| NO. OF CKTS |       | OPTION B ASSEMBLY<br>PACKAGED IN TUBES PER PK-70873-0139<br>(SEE SHEET I FOR PLATING SPECIFICATIONS) |            |            |            |            |                  | DIMENSION        |  |                  |         | NO. OF CKTS |                        | OPTION B ASSEMBLY<br>PACKAGED IN TUBES PER PK-70873-0139<br>(SEE SHEET I FOR PLATING SPECIFICATIONS) |            |            |            |                  |                  | DIMENSION |                  |  |  |
| PER ROW     | TOTAL | OPT. J ASSY<br>15 GOLD   |            | 15 GOLD    | 30 GOLD    | 50 GOLD    | A                | B                |  | D                | PER ROW | TOTAL       | OPT. J ASSY<br>15 GOLD |  | 15 GOLD    | 30 GOLD    | 50 GOLD    | A                | B                |           | D                |  |  |
| 4           | 8     |  |            | 71973-1004 | 71973-1104 | 71973-1204 | .300<br>(7.62)   | .395<br>(10.03)  |  | .658<br>(16.71)  | 33      | 66          |                        |  | 71973-1033 | 71973-1133 | 71973-1233 | 3.200<br>(81.28) | 3.295<br>(83.69) |           | 3.558<br>(90.37) |  |  |
| 5           | 10    |  |            | 71973-1005 | 71973-1105 | 71973-1205 | .400<br>(10.16)  | .495<br>(12.57)  |  | .758<br>(19.25)  | 34      | 68          |                        |  | 71973-1034 | 71973-1134 | 71973-1234 | 3.300<br>(83.82) | 3.395<br>(86.23) |           | 3.658<br>(92.91) |  |  |
| 6           | 12    |  |            | 71973-1006 | 71973-1106 | 71973-1206 | .500<br>(12.70)  | .595<br>(15.11)  |  | .858<br>(21.79)  | 35      | 70          |                        |  | 71973-1035 | 71973-1135 | 71973-1235 | 3.400<br>(86.36) | 3.495<br>(88.77) |           | 3.758<br>(95.45) |  |  |
| 7           | 14    |  |            | 71973-1007 | 71973-1107 | 71973-1207 | .600<br>(15.24)  | .695<br>(17.65)  |  | .958<br>(24.33)  | 36      | 72          |                        |  | 71973-1036 | 71973-1136 | 71973-1236 | 3.500<br>(88.90) | 3.595<br>(91.31) |           | 3.858<br>(97.99) |  |  |
| 8           | 16    |  |            | 71973-1008 | 71973-1108 | 71973-1208 | .700<br>(17.78)  | .795<br>(20.19)  |  | 1.058<br>(26.87) |         |             |                        |  |            |            |            |                  |                  |           |                  |  |  |
| 9           | 18    |  |            | 71973-1009 | 71973-1109 | 71973-1209 | .800<br>(20.32)  | .895<br>(22.73)  |  | 1.158<br>(29.41) |         |             |                        |  |            |            |            |                  |                  |           |                  |  |  |
| 10          | 20    |  |            | 71973-1010 | 71973-1110 | 71973-1210 | .900<br>(22.86)  | .995<br>(25.27)  |  | 1.258<br>(31.95) |         |             |                        |  |            |            |            |                  |                  |           |                  |  |  |
| 11          | 22    |  |            | 71973-1011 | 71973-1111 | 71973-1211 | 1.000<br>(25.40) | 1.095<br>(27.81) |  | 1.358<br>(34.49) |         |             |                        |  |            |            |            |                  |                  |           |                  |  |  |
| 12          | 24    |  |            | 71973-1012 | 71973-1112 | 71973-1212 | 1.100<br>(27.94) | 1.195<br>(30.35) |  | 1.458<br>(37.03) |         |             |                        |  |            |            |            |                  |                  |           |                  |  |  |
| 13          | 26    |  |            | 71973-1013 | 71973-1113 | 71973-1213 | 1.200<br>(30.48) | 1.295<br>(32.89) |  | 1.558<br>(39.57) |         |             |                        |  |            |            |            |                  |                  |           |                  |  |  |
| 14          | 28    |  |            | 71973-1014 | 71973-1114 | 71973-1214 | 1.300<br>(33.02) | 1.395<br>(35.43) |  | 1.658<br>(42.11) |         |             |                        |  |            |            |            |                  |                  |           |                  |  |  |
| 15          | 30    |  | 71973-1315 | 71973-1015 | 71973-1115 | 71973-1215 | 1.400<br>(35.56) | 1.495<br>(37.97) |  | 1.758<br>(44.65) |         |             |                        |  |            |            |            |                  |                  |           |                  |  |  |
| 16          | 32    |  |            | 71973-1016 | 71973-1116 | 71973-1216 | 1.500<br>(38.10) | 1.595<br>(40.51) |  | 1.858<br>(47.19) |         |             |                        |  |            |            |            |                  |                  |           |                  |  |  |
| 17          | 34    |  |            | 71973-1017 | 71973-1117 | 71973-1217 | 1.600<br>(40.64) | 1.695<br>(43.05) |  | 1.958<br>(49.73) |         |             |                        |  |            |            |            |                  |                  |           |                  |  |  |
| 18          | 36    |  |            | 71973-1018 | 71973-1118 | 71973-1218 | 1.700<br>(43.18) | 1.795<br>(45.59) |  | 2.058<br>(52.27) |         |             |                        |  |            |            |            |                  |                  |           |                  |  |  |
| 19          | 38    |  |            | 71973-1019 | 71973-1119 | 71973-1219 | 1.800<br>(45.72) | 1.895<br>(48.13) |  | 2.158<br>(54.81) |         |             |                        |  |            |            |            |                  |                  |           |                  |  |  |
| 20          | 40    |  | 71973-1320 | 71973-1020 | 71973-1120 | 71973-1220 | 1.900<br>(48.26) | 1.995<br>(50.67) |  | 2.258<br>(57.35) |         |             |                        |  |            |            |            |                  |                  |           |                  |  |  |
| 21          | 42    |  |            | 71973-1021 | 71973-1121 | 71973-1221 | 2.000<br>(50.80) | 2.095<br>(53.21) |  | 2.358<br>(59.89) |         |             |                        |  |            |            |            |                  |                  |           |                  |  |  |
| 22          | 44    |  |            | 71973-1022 | 71973-1122 | 71973-1222 | 2.100<br>(53.34) | 2.195<br>(55.75) |  | 2.458<br>(62.43) |         |             |                        |  |            |            |            |                  |                  |           |                  |  |  |
| 23          | 46    |  |            | 71973-1023 | 71973-1123 | 71973-1223 | 2.200<br>(55.88) | 2.295<br>(58.29) |  | 2.558<br>(64.97) |         |             |                        |  |            |            |            |                  |                  |           |                  |  |  |
| 24          | 48    |  |            | 71973-1024 | 71973-1124 | 71973-1224 | 2.300<br>(58.42) | 2.395<br>(60.83) |  | 2.658<br>(67.51) |         |             |                        |  |            |            |            |                  |                  |           |                  |  |  |
| 25          | 50    |  |            | 71973-1025 | 71973-1125 | 71973-1225 | 2.400<br>(60.96) | 2.495<br>(63.37) |  | 2.758<br>(70.05) |         |             |                        |  |            |            |            |                  |                  |           |                  |  |  |
| 26          | 52    |  |            | 71973-1026 | 71973-1126 | 71973-1226 | 2.500<br>(63.50) | 2.595<br>(65.91) |  | 2.858<br>(72.59) |         |             |                        |  |            |            |            |                  |                  |           |                  |  |  |
| 27          | 54    |  |            | 71973-1027 | 71973-1127 | 71973-1227 | 2.600<br>(66.04) | 2.695<br>(68.45) |  | 2.958<br>(75.13) |         |             |                        |  |            |            |            |                  |                  |           |                  |  |  |
| 28          | 56    |  |            | 71973-1028 | 71973-1128 | 71973-1228 | 2.700<br>(68.58) | 2.795<br>(70.99) |  | 3.058<br>(77.67) |         |             |                        |  |            |            |            |                  |                  |           |                  |  |  |
| 29          | 58    |  |            | 71973-1029 | 71973-1129 | 71973-1229 | 2.800<br>(71.12) | 2.895<br>(73.53) |  | 3.158<br>(80.21) |         |             |                        |  |            |            |            |                  |                  |           |                  |  |  |
| 30          | 60    |  |            | 71973-1030 | 71973-1130 | 71973-1230 | 2.900<br>(73.66) | 2.995<br>(76.07) |  | 3.258<br>(82.75) |         |             |                        |  |            |            |            |                  |                  |           |                  |  |  |
| 31          | 62    |  |            | 71973-1031 | 71973-1131 | 71973-1231 | 3.000<br>(76.20) | 3.095<br>(78.61) |  | 3.358<br>(85.29) |         |             |                        |  |            |            |            |                  |                  |           |                  |  |  |
| 32          | 64    |  |            | 71973-1032 | 71973-1132 | 71973-1232 | 3.100<br>(78.74) | 3.195<br>(81.15) |  | 3.458<br>(87.83) |         |             |                        |  |            |            |            |                  |                  |           |                  |  |  |

|   |   |  |   |  |   |                                  |                                       |                             |                        |  |
|---|---|--|---|--|---|----------------------------------|---------------------------------------|-----------------------------|------------------------|--|
| OPTION "J" IS THE SAME AS "B" EXCEPT DATE CODE IS NOT STAMPED ON HOUSING. | <b>ADD OPTION K &amp; L</b><br>EC NO: S2010-0534<br>DRWN:SKANG 2009/12/30<br>CHKD:ATSEE 2010/01/08<br>APPR:MLONG 2010/01/14 | QUALITY SYMBOLS<br>$F_A=0$<br>$F_C=0$<br>$F_P=0$ | GENERAL TOLERANCES (UNLESS SPECIFIED)   |  | DIMENSION STYLE<br><b>IN/MM</b>   |                                  | SCALE<br>NTS                          | DESIGN UNITS<br>INCH        | THIRD ANGLE PROJECTION |  |
|   |   |  | 4 PLACES $\pm$ --- $\pm$ ---<br>3 PLACES $\pm$ --- $\pm$ .010<br>2 PLACES $\pm$ 0.25 $\pm$ ---<br>1 PLACE $\pm$ --- $\pm$ ---<br>ANGULAR $\pm$ 1/2° | mm      INCH<br>DRAWN BY      DATE<br>DJB      1991/10/21  | TITLE<br><b>EARLY ENTRY R/A RECPT<br/>         .120"PC TAIL W/O LOWER<br/>         ROW PINSTOP-.100" GRID</b> |                                  | <b>MOLEX INCORPORATED</b>             |                             |                        |  |
|   |   |  | DRAFT WHERE APPLICABLE<br>MUST REMAIN<br>WITHIN DIMENSIONS  | APPROVED BY      DATE<br>MLONG      2010/01/14   |   | MATERIAL NO.<br><b>SEE TABLE</b> | DOCUMENT NO.<br><b>SDA-71973-****</b> | SHEET NO.<br><b>9 OF 26</b> |                        |  |
|   |   |  | SIZE<br><b>A3</b>   | THIS DRAWING CONTAINS INFORMATION THAT IS PROPRIETARY TO MOLEX<br>INCORPORATED AND SHOULD NOT BE USED WITHOUT WRITTEN PERMISSION |   |                                  |                                       |                             |                        |  |

| 10          |       | 9   |  | 8          |            | 7          |                  | 6                |   | 5 |  | 4           |  | 3   |            | 2          |            | 1                |                  |           |   |  |  |  |  |  |  |  |  |  |  |  |  |  |  |  |  |  |  |  |
|-------------|-------|---|--|------------|------------|------------|------------------|------------------|---|---|--|-------------|--|---|------------|------------|------------|------------------|------------------|-----------|---|--|--|--|--|--|--|--|--|--|--|--|--|--|--|--|--|--|--|--|
| NO. OF CKTS |       | OPTION A ASSEMBLY<br>PACKAGED IN TRAYS PER PK-70873-0239<br>(SEE SHEET I FOR FINISH SPECIFICATIONS) |  |            |            |            |                  | DIMENSION        |   |   |  | NO. OF CKTS |  | OPTION A ASSEMBLY<br>PACKAGED IN TRAYS PER PK-70873-0239<br>(SEE SHEET I FOR FINISH SPECIFICATIONS) |            |            |            |                  |                  | DIMENSION |   |  |  |  |  |  |  |  |  |  |  |  |  |  |  |  |  |  |  |  |
| PER ROW     | TOTAL | 15 GOLD   |  | 30 GOLD    |            | 50 GOLD    |                  | A                | B |   |  |             |  | 15 GOLD   |            | 30 GOLD    |            | 50 GOLD          |                  | A         | B |  |  |  |  |  |  |  |  |  |  |  |  |  |  |  |  |  |  |  |
| 4           | 8     |   |  | 71973-6604 | 71973-6704 | 71973-6804 | .300<br>(7.62)   | .395<br>(10.03)  |   |   |  |             |  |   | 71973-6633 | 71973-6733 | 71973-6833 | 3.200<br>(81.28) | 3.295<br>(83.69) |           |   |  |  |  |  |  |  |  |  |  |  |  |  |  |  |  |  |  |  |  |
| 5           | 10    |   |  | 71973-6605 | 71973-6705 | 71973-6805 | .400<br>(10.16)  | .495<br>(12.57)  |   |   |  |             |  |   | 71973-6634 | 71973-6734 | 71973-6834 | 3.300<br>(83.82) | 3.395<br>(86.23) |           |   |  |  |  |  |  |  |  |  |  |  |  |  |  |  |  |  |  |  |  |
| 6           | 12    |   |  | 71973-6606 | 71973-6706 | 71973-6806 | .500<br>(12.70)  | .595<br>(15.11)  |   |   |  |             |  |   | 71973-6635 | 71973-6735 | 71973-6835 | 3.400<br>(86.36) | 3.495<br>(88.77) |           |   |  |  |  |  |  |  |  |  |  |  |  |  |  |  |  |  |  |  |  |
| 7           | 14    |   |  | 71973-6607 | 71973-6707 | 71973-6807 | .600<br>(15.24)  | .695<br>(17.65)  |   |   |  |             |  |   | 71973-6636 | 71973-6736 | 71973-6836 | 3.500<br>(88.90) | 3.595<br>(91.31) |           |   |  |  |  |  |  |  |  |  |  |  |  |  |  |  |  |  |  |  |  |
| 8           | 16    |   |  | 71973-6608 | 71973-6708 | 71973-6808 | .700<br>(17.78)  | .795<br>(20.19)  |   |   |  |             |  |   |            |            |            |                  |                  |           |   |  |  |  |  |  |  |  |  |  |  |  |  |  |  |  |  |  |  |  |
| 9           | 18    |   |  | 71973-6609 | 71973-6709 | 71973-6809 | .800<br>(20.32)  | .895<br>(22.73)  |   |   |  |             |  |   |            |            |            |                  |                  |           |   |  |  |  |  |  |  |  |  |  |  |  |  |  |  |  |  |  |  |  |
| 10          | 20    |   |  | 71973-6610 | 71973-6710 | 71973-6810 | .900<br>(22.86)  | .995<br>(25.27)  |   |   |  |             |  |   |            |            |            |                  |                  |           |   |  |  |  |  |  |  |  |  |  |  |  |  |  |  |  |  |  |  |  |
| 11          | 22    |   |  | 71973-6611 | 71973-6711 | 71973-6811 | 1.000<br>(25.40) | 1.095<br>(27.81) |   |   |  |             |  |   |            |            |            |                  |                  |           |   |  |  |  |  |  |  |  |  |  |  |  |  |  |  |  |  |  |  |  |
| 12          | 24    |   |  | 71973-6612 | 71973-6712 | 71973-6812 | 1.100<br>(27.94) | 1.195<br>(30.35) |   |   |  |             |  |   |            |            |            |                  |                  |           |   |  |  |  |  |  |  |  |  |  |  |  |  |  |  |  |  |  |  |  |
| 13          | 26    |   |  | 71973-6613 | 71973-6713 | 71973-6813 | 1.200<br>(30.48) | 1.295<br>(32.89) |   |   |  |             |  |   |            |            |            |                  |                  |           |   |  |  |  |  |  |  |  |  |  |  |  |  |  |  |  |  |  |  |  |
| 14          | 28    |   |  | 71973-6614 | 71973-6714 | 71973-6814 | 1.300<br>(33.02) | 1.395<br>(35.43) |   |   |  |             |  |   |            |            |            |                  |                  |           |   |  |  |  |  |  |  |  |  |  |  |  |  |  |  |  |  |  |  |  |
| 15          | 30    |   |  | 71973-6615 | 71973-6715 | 71973-6815 | 1.400<br>(35.56) | 1.495<br>(37.97) |   |   |  |             |  |   |            |            |            |                  |                  |           |   |  |  |  |  |  |  |  |  |  |  |  |  |  |  |  |  |  |  |  |
| 16          | 32    |   |  | 71973-6616 | 71973-6716 | 71973-6816 | 1.500<br>(38.10) | 1.595<br>(40.51) |   |   |  |             |  |   |            |            |            |                  |                  |           |   |  |  |  |  |  |  |  |  |  |  |  |  |  |  |  |  |  |  |  |
| 17          | 34    |   |  | 71973-6617 | 71973-6717 | 71973-6817 | 1.600<br>(40.64) | 1.695<br>(43.05) |   |   |  |             |  |   |            |            |            |                  |                  |           |   |  |  |  |  |  |  |  |  |  |  |  |  |  |  |  |  |  |  |  |
| 18          | 36    |   |  | 71973-6618 | 71973-6718 | 71973-6818 | 1.700<br>(43.18) | 1.795<br>(45.59) |   |   |  |             |  |   |            |            |            |                  |                  |           |   |  |  |  |  |  |  |  |  |  |  |  |  |  |  |  |  |  |  |  |
| 19          | 38    |   |  | 71973-6619 | 71973-6719 | 71973-6819 | 1.800<br>(45.72) | 1.895<br>(48.13) |   |   |  |             |  |   |            |            |            |                  |                  |           |   |  |  |  |  |  |  |  |  |  |  |  |  |  |  |  |  |  |  |  |
| 20          | 40    |   |  | 71973-6620 | 71973-6720 | 71973-6820 | 1.900<br>(48.26) | 1.995<br>(50.67) |   |   |  |             |  |   |            |            |            |                  |                  |           |   |  |  |  |  |  |  |  |  |  |  |  |  |  |  |  |  |  |  |  |
| 21          | 42    |   |  | 71973-6621 | 71973-6721 | 71973-6821 | 2.000<br>(50.80) | 2.095<br>(53.21) |   |   |  |             |  |   |            |            |            |                  |                  |           |   |  |  |  |  |  |  |  |  |  |  |  |  |  |  |  |  |  |  |  |
| 22          | 44    |   |  | 71973-6622 | 71973-6722 | 71973-6822 | 2.100<br>(53.34) | 2.195<br>(55.75) |   |   |  |             |  |   |            |            |            |                  |                  |           |   |  |  |  |  |  |  |  |  |  |  |  |  |  |  |  |  |  |  |  |
| 23          | 46    |   |  | 71973-6623 | 71973-6723 | 71973-6823 | 2.200<br>(55.88) | 2.295<br>(58.29) |   |   |  |             |  |   |            |            |            |                  |                  |           |   |  |  |  |  |  |  |  |  |  |  |  |  |  |  |  |  |  |  |  |
| 24          | 48    |   |  | 71973-6624 | 71973-6724 | 71973-6824 | 2.300<br>(58.42) | 2.395<br>(60.83) |   |   |  |             |  |   |            |            |            |                  |                  |           |   |  |  |  |  |  |  |  |  |  |  |  |  |  |  |  |  |  |  |  |
| 25          | 50    |   |  | 71973-6625 | 71973-6725 | 71973-6825 | 2.400<br>(60.96) | 2.495<br>(63.37) |   |   |  |             |  |   |            |            |            |                  |                  |           |   |  |  |  |  |  |  |  |  |  |  |  |  |  |  |  |  |  |  |  |
| 26          | 52    |   |  | 71973-6626 | 71973-6726 | 71973-6826 | 2.500<br>(63.50) | 2.595<br>(65.91) |   |   |  |             |  |   |            |            |            |                  |                  |           |   |  |  |  |  |  |  |  |  |  |  |  |  |  |  |  |  |  |  |  |
| 27          | 54    |   |  | 71973-6627 | 71973-6727 | 71973-6827 | 2.600<br>(66.04) | 2.695<br>(68.45) |   |   |  |             |  |   |            |            |            |                  |                  |           |   |  |  |  |  |  |  |  |  |  |  |  |  |  |  |  |  |  |  |  |
| 28          | 56    |   |  | 71973-6628 | 71973-6728 | 71973-6828 | 2.700<br>(68.58) | 2.795<br>(70.99) |   |   |  |             |  |   |            |            |            |                  |                  |           |   |  |  |  |  |  |  |  |  |  |  |  |  |  |  |  |  |  |  |  |
| 29          | 58    |   |  | 71973-6629 | 71973-6729 | 71973-6829 | 2.800<br>(71.12) | 2.895<br>(73.53) |   |   |  |             |  |   |            |            |            |                  |                  |           |   |  |  |  |  |  |  |  |  |  |  |  |  |  |  |  |  |  |  |  |
| 30          | 60    |   |  | 71973-6630 | 71973-6730 | 71973-6830 | 2.900<br>(73.66) | 2.995<br>(76.07) |   |   |  |             |  |   |            |            |            |                  |                  |           |   |  |  |  |  |  |  |  |  |  |  |  |  |  |  |  |  |  |  |  |
| 31          | 62    |   |  | 71973-6631 | 71973-6731 | 71973-6831 | 3.000<br>(76.20) | 3.095<br>(78.61) |   |   |  |             |  |   |            |            |            |                  |                  |           |   |  |  |  |  |  |  |  |  |  |  |  |  |  |  |  |  |  |  |  |
| 32          | 64    |   |  | 71973-6632 | 71973-6732 | 71973-6832 | 3.100<br>(78.74) | 3.195<br>(81.15) |   |   |  |             |  |   |            |            |            |                  |                  |           |   |  |  |  |  |  |  |  |  |  |  |  |  |  |  |  |  |  |  |  |

| <b>ADD OPTION K &amp; L</b><br>EC NO: S2010-0534<br>DRWN:SKANG 2009/12/30<br>CHKD:ATSEE 2010/01/08<br>APPR:MLONG 2010/01/14<br>K | QUALITY SYMBOLS<br>$F_A=0$<br>$F_G=0$<br>$F_P=0$ | GENERAL TOLERANCES (UNLESS SPECIFIED)<br><table border="1"> <tr> <th></th> <th>mm</th> <th>INCH</th> </tr> <tr> <td>4 PLACES</td> <td>± ---</td> <td>± ---</td> </tr> <tr> <td>3 PLACES</td> <td>± ---</td> <td>± .010</td> </tr> <tr> <td>2 PLACES</td> <td>± 0.25</td> <td>± ---</td> </tr> <tr> <td>1 PLACE</td> <td>± ---</td> <td>± ---</td> </tr> </table> |                                  | mm  | INCH                         | 4 PLACES | ± --- | ± --- | 3 PLACES | ± --- | ± .010 | 2 PLACES | ± 0.25 | ± --- | 1 PLACE | ± --- | ± --- | DIMENSION STYLE<br><b>IN/MM</b><br>DRAWN BY: DJB DATE: 1991/10/21<br>CHECKED BY: DJB DATE: 1991/10/21<br>APPROVED BY: MLONG DATE: 2010/01/14 | SCALE<br><b>NTS</b> | DESIGN UNITS<br><b>INCH</b> | THIRD ANGLE PROJECTION<br> | TITLE<br><b>EARLY ENTRY R/A RECPT<br/>.120"PC TAIL W/O LOWER<br/>ROW PINSTOP-.100" GRID</b> |
|--|--|--|----------------------------------|---|------------------------------|----------|-------|-------|----------|-------|--------|----------|--------|-------|---------|-------|-------|--|---------------------|-----------------------------|----------------------------|---|
|  |  | mm   | INCH                             |   |                              |          |       |       |          |       |        |          |        |       |         |       |       |  |                     |                             |                            |   |
|  | 4 PLACES   | ± ---  | ± ---                            |   |                              |          |       |       |          |       |        |          |        |       |         |       |       |  |                     |                             |                            |   |
|  | 3 PLACES   | ± ---  | ± .010                           |   |                              |          |       |       |          |       |        |          |        |       |         |       |       |  |                     |                             |                            |   |
| 2 PLACES   | ± 0.25   | ± ---  |                                  |   |                              |          |       |       |          |       |        |          |        |       |         |       |       |  |                     |                             |                            |   |
| 1 PLACE  | ± ---  | ± ---  |                                  |   |                              |          |       |       |          |       |        |          |        |       |         |       |       |  |                     |                             |                            |   |
|  |  | ANGULAR ± 1/2°   | MATERIAL NO.<br><b>SEE TABLE</b> | DOCUMENT NO.<br><b>SDA-71973-****</b>   | SHEET NO.<br><b>10 OF 26</b> |          |       |       |          |       |        |          |        |       |         |       |       |  |                     |                             |                            |   |
|  |  | DRAFT WHERE APPLICABLE<br>MUST REMAIN WITHIN DIMENSIONS  | SIZE<br><b>A3</b>                | THIS DRAWING CONTAINS INFORMATION THAT IS PROPRIETARY TO MOLEX INCORPORATED AND SHOULD NOT BE USED WITHOUT WRITTEN PERMISSION |                              |          |       |       |          |       |        |          |        |       |         |       |       |  |                     |                             |                            |   |
|  |  |  |                                  |   |                              |          |       |       |          |       |        |          |        |       |         |       |       |  |                     |                             |                            |   |

| NO. OF CKTS |       | OPTION B ASSEMBLY<br>PACKAGED IN TRAYS PER PK-70873-0239<br>(SEE SHEET 1 FOR FINISH SPECIFICATIONS) |  |  |            |            | DIMENSION  |                  |                  | NO. OF CKTS      |    | OPTION B ASSEMBLY<br>PACKAGED IN TRAYS PER PK-70873-0239<br>(SEE SHEET 1 FOR FINISH SPECIFICATIONS) |       |         |  |            | DIMENSION  |            |                  |                  |                  |   |   |
|-------------|-------|---|--|--|------------|------------|------------|------------------|------------------|------------------|----|---|-------|---------|--|------------|------------|------------|------------------|------------------|------------------|---|---|
| PER ROW     | TOTAL | 15 GOLD   |  |  | 30 GOLD    |            | 50 GOLD    |                  | A                | B                | D  | PER ROW   | TOTAL | 15 GOLD |  |            | 30 GOLD    |            | 50 GOLD          |                  | A                | B | D |
| 4           | 8     |   |  |  | 71973-7004 | 71973-7104 | 71973-7204 | .300<br>(7.62)   | .395<br>(10.03)  | .658<br>(16.71)  | 33 | 66  |       |         |  | 71973-7033 | 71973-7133 | 71973-7233 | 3.200<br>(81.28) | 3.295<br>(83.69) | 3.558<br>(90.37) |   |   |
| 5           | 10    |   |  |  | 71973-7005 | 71973-7105 | 71973-7205 | .400<br>(10.16)  | .495<br>(12.57)  | .758<br>(19.25)  | 34 | 68  |       |         |  | 71973-7034 | 71973-7134 | 71973-7234 | 3.300<br>(83.82) | 3.395<br>(86.23) | 3.658<br>(92.91) |   |   |
| 6           | 12    |   |  |  | 71973-7006 | 71973-7106 | 71973-7206 | .500<br>(12.70)  | .595<br>(15.11)  | .858<br>(21.79)  | 35 | 70  |       |         |  | 71973-7035 | 71973-7135 | 71973-7235 | 3.400<br>(86.36) | 3.495<br>(88.77) | 3.758<br>(95.45) |   |   |
| 7           | 14    |   |  |  | 71973-7007 | 71973-7107 | 71973-7207 | .600<br>(15.24)  | .695<br>(17.65)  | .958<br>(24.33)  | 36 | 72  |       |         |  | 71973-7036 | 71973-7136 | 71973-7236 | 3.500<br>(88.90) | 3.595<br>(91.31) | 3.858<br>(97.99) |   |   |
| 8           | 16    |   |  |  | 71973-7008 | 71973-7108 | 71973-7208 | .700<br>(17.78)  | .795<br>(20.19)  | 1.058<br>(26.87) |    |   |       |         |  |            |            |            |                  |                  |                  |   |   |
| 9           | 18    |   |  |  | 71973-7009 | 71973-7109 | 71973-7209 | .800<br>(20.32)  | .895<br>(22.73)  | 1.158<br>(29.41) |    |   |       |         |  |            |            |            |                  |                  |                  |   |   |
| 10          | 20    |   |  |  | 71973-7010 | 71973-7110 | 71973-7210 | .900<br>(22.86)  | .995<br>(25.27)  | 1.258<br>(31.95) |    |   |       |         |  |            |            |            |                  |                  |                  |   |   |
| 11          | 22    |   |  |  | 71973-7011 | 71973-7111 | 71973-7211 | 1.000<br>(25.40) | 1.095<br>(27.81) | 1.358<br>(34.49) |    |   |       |         |  |            |            |            |                  |                  |                  |   |   |
| 12          | 24    |   |  |  | 71973-7012 | 71973-7112 | 71973-7212 | 1.100<br>(27.94) | 1.195<br>(30.35) | 1.458<br>(37.03) |    |   |       |         |  |            |            |            |                  |                  |                  |   |   |
| 13          | 26    |   |  |  | 71973-7013 | 71973-7113 | 71973-7213 | 1.200<br>(30.48) | 1.295<br>(32.89) | 1.558<br>(39.57) |    |   |       |         |  |            |            |            |                  |                  |                  |   |   |
| 14          | 28    |   |  |  | 71973-7014 | 71973-7114 | 71973-7214 | 1.300<br>(33.02) | 1.395<br>(35.43) | 1.658<br>(42.11) |    |   |       |         |  |            |            |            |                  |                  |                  |   |   |
| 15          | 30    |   |  |  | 71973-7015 | 71973-7115 | 71973-7215 | 1.400<br>(35.56) | 1.495<br>(37.97) | 1.758<br>(44.65) |    |   |       |         |  |            |            |            |                  |                  |                  |   |   |
| 16          | 32    |   |  |  | 71973-7016 | 71973-7116 | 71973-7216 | 1.500<br>(38.10) | 1.595<br>(40.51) | 1.858<br>(47.19) |    |   |       |         |  |            |            |            |                  |                  |                  |   |   |
| 17          | 34    |   |  |  | 71973-7017 | 71973-7117 | 71973-7217 | 1.600<br>(40.64) | 1.695<br>(43.05) | 1.958<br>(49.73) |    |   |       |         |  |            |            |            |                  |                  |                  |   |   |
| 18          | 36    |   |  |  | 71973-7018 | 71973-7118 | 71973-7218 | 1.700<br>(43.18) | 1.795<br>(45.59) | 2.058<br>(52.27) |    |   |       |         |  |            |            |            |                  |                  |                  |   |   |
| 19          | 38    |   |  |  | 71973-7019 | 71973-7119 | 71973-7219 | 1.800<br>(45.72) | 1.895<br>(48.13) | 2.158<br>(54.81) |    |   |       |         |  |            |            |            |                  |                  |                  |   |   |
| 20          | 40    |   |  |  | 71973-7020 | 71973-7120 | 71973-7220 | 1.900<br>(48.26) | 1.995<br>(50.67) | 2.258<br>(57.35) |    |   |       |         |  |            |            |            |                  |                  |                  |   |   |
| 21          | 42    |   |  |  | 71973-7021 | 71973-7121 | 71973-7221 | 2.000<br>(50.80) | 2.095<br>(53.21) | 2.358<br>(59.89) |    |   |       |         |  |            |            |            |                  |                  |                  |   |   |
| 22          | 44    |   |  |  | 71973-7022 | 71973-7122 | 71973-7222 | 2.100<br>(53.34) | 2.195<br>(55.75) | 2.458<br>(62.43) |    |   |       |         |  |            |            |            |                  |                  |                  |   |   |
| 23          | 46    |   |  |  | 71973-7023 | 71973-7123 | 71973-7223 | 2.200<br>(55.88) | 2.295<br>(58.29) | 2.558<br>(64.97) |    |   |       |         |  |            |            |            |                  |                  |                  |   |   |
| 24          | 48    |   |  |  | 71973-7024 | 71973-7124 | 71973-7224 | 2.300<br>(58.42) | 2.395<br>(60.83) | 2.658<br>(67.51) |    |   |       |         |  |            |            |            |                  |                  |                  |   |   |
| 25          | 50    |   |  |  | 71973-7025 | 71973-7125 | 71973-7225 | 2.400<br>(60.96) | 2.495<br>(63.37) | 2.758<br>(70.05) |    |   |       |         |  |            |            |            |                  |                  |                  |   |   |
| 26          | 52    |   |  |  | 71973-7026 | 71973-7126 | 71973-7226 | 2.500<br>(63.50) | 2.595<br>(65.91) | 2.858<br>(72.59) |    |   |       |         |  |            |            |            |                  |                  |                  |   |   |
| 27          | 54    |   |  |  | 71973-7027 | 71973-7127 | 71973-7227 | 2.600<br>(66.04) | 2.695<br>(68.45) | 2.958<br>(75.13) |    |   |       |         |  |            |            |            |                  |                  |                  |   |   |
| 28          | 56    |   |  |  | 71973-7028 | 71973-7128 | 71973-7228 | 2.700<br>(68.58) | 2.795<br>(70.99) | 3.058<br>(77.67) |    |   |       |         |  |            |            |            |                  |                  |                  |   |   |
| 29          | 58    |   |  |  | 71973-7029 | 71973-7129 | 71973-7229 | 2.800<br>(71.12) | 2.895<br>(73.53) | 3.158<br>(80.21) |    |   |       |         |  |            |            |            |                  |                  |                  |   |   |
| 30          | 60    |   |  |  | 71973-7030 | 71973-7130 | 71973-7230 | 2.900<br>(73.66) | 2.995<br>(76.07) | 3.258<br>(82.75) |    |   |       |         |  |            |            |            |                  |                  |                  |   |   |
| 31          | 62    |   |  |  | 71973-7031 | 71973-7131 | 71973-7231 | 3.000<br>(76.20) | 3.095<br>(78.61) | 3.358<br>(85.29) |    |   |       |         |  |            |            |            |                  |                  |                  |   |   |
| 32          | 64    |   |  |  | 71973-7032 | 71973-7132 | 71973-7232 | 3.100<br>(78.74) | 3.195<br>(81.15) | 3.458<br>(87.83) |    |   |       |         |  |            |            |            |                  |                  |                  |   |   |

|   |                                     |  |   |   |                       |                        |  |
|---|-------------------------------------|--|---|---|-----------------------|------------------------|--|
| <b>ADD OPTION K &amp; L</b><br>EC NO: S2010-0534<br>DRWN:SKANG 2009/12/30<br>CHKD:ATSEE 2010/01/08<br>APPR:MLONG 2010/01/14 | QUALITY SYMBOLS                     | GENERAL TOLERANCES (UNLESS SPECIFIED)  | DIMENSION STYLE   | SCALE   | DESIGN UNITS          | THIRD ANGLE PROJECTION |  |
|   | $F_A = 0$<br>$F_G = 0$<br>$F_P = 0$ | mm      INCH<br>4 PLACES ± --- ± ---<br>3 PLACES ± --- ± .010<br>2 PLACES ± 0.25 ± ---<br>1 PLACE ± --- ± ---<br>ANGULAR ± 1/2°                | IN/MM<br>DRAWN BY: DJB      DATE: 1991/10/21<br>CHECKED BY:      DATE: 1991/10/21<br>APPROVED BY:      DATE: 2010/01/14<br>MATERIAL NO.      DOCUMENT NO. | NTS<br>TITLE: EARLY ENTRY R/A RECPT<br>.120"PC TAIL W/O LOWER<br>ROW PINSTOP-.100" GRID<br>MOLEX INCORPORATED |                       |                        |  |
|   |                                     | DRAFT WHERE APPLICABLE<br>MUST REMAIN<br>WITHIN DIMENSIONS   | SEE TABLE   | SDA-71973-****  | SHEET NO.<br>11 OF 26 |                        |  |
|   |                                     | SIZE<br>A3<br>THIS DRAWING CONTAINS INFORMATION THAT IS PROPRIETARY TO MOLEX<br>INCORPORATED AND SHOULD NOT BE USED WITHOUT WRITTEN PERMISSION |   |   |                       |                        |  |

| NO. OF CKTS |       | OPTION C ASSEMBLY<br>PACKAGED IN TUBES PER PK-70873-0138<br>(SEE SHEET 1 FOR FINISH SPECIFICATIONS) |            |         |            |   | DIMENSION  |                  |                  |  | NO. OF CKTS |       | OPTION C ASSEMBLY<br>PACKAGED IN TUBES PER PK-70873-0138<br>(SEE SHEET 1 FOR FINISH SPECIFICATIONS) |            |         |            |   | DIMENSION  |                  |                  |  |  |
|-------------|-------|---|------------|---------|------------|---|------------|------------------|------------------|--|-------------|-------|---|------------|---------|------------|---|------------|------------------|------------------|--|--|
| PER ROW     | TOTAL |   | 15 GOLD    | 30 GOLD | 50 GOLD    | A | B          |                  |                  |  | PER ROW     | TOTAL |   | 15 GOLD    | 30 GOLD | 50 GOLD    | A | B          |                  |                  |  |  |
| 4           | 8     | X   | 71973-1804 | X       | 71973-1904 | X | 71973-2004 | .300<br>(7.62)   | .395<br>(10.03)  |  | 33          | 66    | X   | 71973-1833 | X       | 71973-1933 | X | 71973-2033 | 3.200<br>(81.28) | 3.295<br>(83.69) |  |  |
| 5           | 10    | X   | 71973-1805 | X       | 71973-1905 | X | 71973-2005 | .400<br>(10.16)  | .495<br>(12.57)  |  | 34          | 68    | X   | 71973-1834 | X       | 71973-1934 | X | 71973-2034 | 3.300<br>(83.82) | 3.395<br>(86.23) |  |  |
| 6           | 12    | X   | 71973-1806 | X       | 71973-1906 | X | 71973-2006 | .500<br>(12.70)  | .595<br>(15.11)  |  | 35          | 70    | X   | 71973-1835 | X       | 71973-1935 | X | 71973-2035 | 3.400<br>(86.36) | 3.495<br>(88.77) |  |  |
| 7           | 14    | X   | 71973-1807 | X       | 71973-1907 | X | 71973-2007 | .600<br>(15.24)  | .695<br>(17.65)  |  | 36          | 72    | X   | 71973-1836 | X       | 71973-1936 | X | 71973-2036 | 3.500<br>(88.90) | 3.595<br>(91.31) |  |  |
| 8           | 16    | X   | 71973-1808 | X       | 71973-1908 | X | 71973-2008 | .700<br>(17.78)  | .795<br>(20.19)  |  |             |       |   |            |         |            |   |            |                  |                  |  |  |
| 9           | 18    | X   | 71973-1809 | X       | 71973-1909 | X | 71973-2009 | .800<br>(20.32)  | .895<br>(22.73)  |  |             |       |   |            |         |            |   |            |                  |                  |  |  |
| 10          | 20    | X   | 71973-1810 | X       | 71973-1910 | X | 71973-2010 | .900<br>(22.86)  | .995<br>(25.27)  |  |             |       |   |            |         |            |   |            |                  |                  |  |  |
| 11          | 22    | X   | 71973-1811 | X       | 71973-1911 | X | 71973-2011 | 1.000<br>(25.40) | 1.095<br>(27.81) |  |             |       |   |            |         |            |   |            |                  |                  |  |  |
| 12          | 24    | X   | 71973-1812 | X       | 71973-1912 | X | 71973-2012 | 1.100<br>(27.94) | 1.195<br>(30.35) |  |             |       |   |            |         |            |   |            |                  |                  |  |  |
| 13          | 26    | X   | 71973-1813 | X       | 71973-1913 | X | 71973-2013 | 1.200<br>(30.48) | 1.295<br>(32.89) |  |             |       |   |            |         |            |   |            |                  |                  |  |  |
| 14          | 28    | X   | 71973-1814 | X       | 71973-1914 | X | 71973-2014 | 1.300<br>(33.02) | 1.395<br>(35.43) |  |             |       |   |            |         |            |   |            |                  |                  |  |  |
| 15          | 30    | X   | 71973-1815 | X       | 71973-1915 | X | 71973-2015 | 1.400<br>(35.56) | 1.495<br>(37.97) |  |             |       |   |            |         |            |   |            |                  |                  |  |  |
| 16          | 32    | X   | 71973-1816 | X       | 71973-1916 | X | 71973-2016 | 1.500<br>(38.10) | 1.595<br>(40.51) |  |             |       |   |            |         |            |   |            |                  |                  |  |  |
| 17          | 34    | X   | 71973-1817 | X       | 71973-1917 | X | 71973-2017 | 1.600<br>(40.64) | 1.695<br>(43.05) |  |             |       |   |            |         |            |   |            |                  |                  |  |  |
| 18          | 36    | X   | 71973-1818 | X       | 71973-1918 | X | 71973-2018 | 1.700<br>(43.18) | 1.795<br>(45.59) |  |             |       |   |            |         |            |   |            |                  |                  |  |  |
| 19          | 38    | X   | 71973-1819 | X       | 71973-1919 | X | 71973-2019 | 1.800<br>(45.72) | 1.895<br>(48.13) |  |             |       |   |            |         |            |   |            |                  |                  |  |  |
| 20          | 40    | X   | 71973-1820 | X       | 71973-1920 | X | 71973-2020 | 1.900<br>(48.26) | 1.995<br>(50.67) |  |             |       |   |            |         |            |   |            |                  |                  |  |  |
| 21          | 42    | X   | 71973-1821 | X       | 71973-1921 | X | 71973-2021 | 2.000<br>(50.80) | 2.095<br>(53.21) |  |             |       |   |            |         |            |   |            |                  |                  |  |  |
| 22          | 44    | X   | 71973-1822 | X       | 71973-1922 | X | 71973-2022 | 2.100<br>(53.34) | 2.195<br>(55.75) |  |             |       |   |            |         |            |   |            |                  |                  |  |  |
| 23          | 46    | X   | 71973-1823 | X       | 71973-1923 | X | 71973-2023 | 2.200<br>(55.88) | 2.295<br>(58.29) |  |             |       |   |            |         |            |   |            |                  |                  |  |  |
| 24          | 48    | X   | 71973-1824 | X       | 71973-1924 | X | 71973-2024 | 2.300<br>(58.42) | 2.395<br>(60.83) |  |             |       |   |            |         |            |   |            |                  |                  |  |  |
| 25          | 50    | X   | 71973-1825 | X       | 71973-1925 | X | 71973-2025 | 2.400<br>(60.96) | 2.495<br>(63.37) |  |             |       |   |            |         |            |   |            |                  |                  |  |  |
| 26          | 52    | X   | 71973-1826 | X       | 71973-1926 | X | 71973-2026 | 2.500<br>(63.50) | 2.595<br>(65.91) |  |             |       |   |            |         |            |   |            |                  |                  |  |  |
| 27          | 54    | X   | 71973-1827 | X       | 71973-1927 | X | 71973-2027 | 2.600<br>(66.04) | 2.695<br>(68.45) |  |             |       |   |            |         |            |   |            |                  |                  |  |  |
| 28          | 56    | X   | 71973-1828 | X       | 71973-1928 | X | 71973-2028 | 2.700<br>(68.58) | 2.795<br>(70.99) |  |             |       |   |            |         |            |   |            |                  |                  |  |  |
| 29          | 58    | X   | 71973-1829 | X       | 71973-1929 | X | 71973-2029 | 2.800<br>(71.12) | 2.895<br>(73.53) |  |             |       |   |            |         |            |   |            |                  |                  |  |  |
| 30          | 60    | X   | 71973-1830 | X       | 71973-1930 | X | 71973-2030 | 2.900<br>(73.66) | 2.995<br>(76.07) |  |             |       |   |            |         |            |   |            |                  |                  |  |  |
| 31          | 62    | X   | 71973-1831 | X       | 71973-1931 | X | 71973-2031 | 3.000<br>(76.20) | 3.095<br>(78.61) |  |             |       |   |            |         |            |   |            |                  |                  |  |  |
| 32          | 64    | X   | 71973-1832 | X       | 71973-1932 | X | 71973-2032 | 3.100<br>(78.74) | 3.195<br>(81.15) |  |             |       |   |            |         |            |   |            |                  |                  |  |  |

|   |  |  |   |   |   |                       |  |
|---|--|--|---|---|---|-----------------------|--|
| *X* INDICATES TOOLING IS NOT AVAILABLE<br><br>ADD OPTION K & L<br>EC NO: S2010-0534<br>DRWN:SKANG 2009/12/30<br>CHKD:ATSEE 2010/01/08<br>APPR:MLONG 2010/01/14<br>K | QUALITY SYMBOLS<br>$F_A=0$<br>$F_G=0$<br>$F_P=0$     | GENERAL TOLERANCES (UNLESS SPECIFIED)<br>4 PLACES ± --- ± ---<br>3 PLACES ± --- ± .010<br>2 PLACES ± 0.25 ± ---<br>1 PLACE ± --- ± ---<br>ANGULAR ± 1/2° | DIMENSION STYLE<br>IN/MM<br>DRAWN BY: DJB DATE: 1991/10/21<br>CHECKED BY: DJB DATE: 1991/10/21<br>APPROVED BY: MLONG DATE: 2010/01/14 | SCALE<br>NTS<br>DESIGN UNITS<br>INCH<br>THIRD ANGLE PROJECTION  | TITLE<br>EARLY ENTRY R/A RECPT<br>.120"PC TAIL W/O LOWER<br>ROW PINSTOP-.100" GRID<br>MOLEX INCORPORATED<br>DOCUMENT NO. SDA-71973-**** | SHEET NO.<br>12 OF 26 |  |
|   | DRAFT WHERE APPLICABLE MUST REMAIN WITHIN DIMENSIONS |  | SEE TABLE   | THIS DRAWING CONTAINS INFORMATION THAT IS PROPRIETARY TO MOLEX INCORPORATED AND SHOULD NOT BE USED WITHOUT WRITTEN PERMISSION |   |                       |  |
|   |  |  |   |   |   |                       |  |
|   |  |  |   |   |   |                       |  |

| 10          |       | 9   |            |   | 8          |   |            | 7                |                  |                  | 6         |   |  | 5  |         |       | 4           |   |   | 3       |            |                  | 2                |  |                  | 1 |   |           |   |  |  |  |  |
|-------------|-------|---|------------|---|------------|---|------------|------------------|------------------|------------------|-----------|---|--|----|---------|-------|-------------|---|---|---------|------------|------------------|------------------|--|------------------|---|---|-----------|---|--|--|--|--|
| NO. OF CKTS |       | OPTION D ASSEMBLY<br>PACKAGED IN TUBES PER PK-70873-0139<br>(SEE SHEET 1 FOR FINISH SPECIFICATIONS) |            |   |            |   |            |                  |                  |                  | DIMENSION |   |  |    |         |       | NO. OF CKTS |   | OPTION D ASSEMBLY<br>PACKAGED IN TUBES PER PK-70873-0139<br>(SEE SHEET 1 FOR FINISH SPECIFICATIONS) |         |            |                  |                  |  |                  |   |   | DIMENSION |   |  |  |  |  |
| PER ROW     | TOTAL | 15 GOLD   |            |   | 30 GOLD    |   |            | 50 GOLD          |                  |                  | A         | B |  | D  | PER ROW | TOTAL | 15 GOLD     |   |   | 30 GOLD |            |                  | 50 GOLD          |  |                  | A | B |           | D |  |  |  |  |
| 4           | 8     | X   | 71973-2604 | X | 71973-2704 | X | 71973-2804 | .300<br>(7.62)   | .395<br>(10.03)  | .658<br>(16.71)  |           |   |  | 33 | 66      | X     | 71973-2633  | X | 71973-2733  | X       | 71973-2833 | 3.200<br>(81.28) | 3.295<br>(83.69) |  | 3.558<br>(90.37) |   |   |           |   |  |  |  |  |
| 5           | 10    | X   | 71973-2605 | X | 71973-2705 | X | 71973-2805 | .400<br>(10.16)  | .495<br>(12.57)  | .758<br>(19.25)  |           |   |  | 34 | 68      | X     | 71973-2634  | X | 71973-2734  | X       | 71973-2834 | 3.300<br>(83.82) | 3.395<br>(86.23) |  | 3.658<br>(92.91) |   |   |           |   |  |  |  |  |
| 6           | 12    | X   | 71973-2606 | X | 71973-2706 | X | 71973-2806 | .500<br>(12.70)  | .595<br>(15.11)  | .858<br>(21.79)  |           |   |  | 35 | 70      | X     | 71973-2635  | X | 71973-2735  | X       | 71973-2835 | 3.400<br>(86.36) | 3.495<br>(88.77) |  | 3.758<br>(95.45) |   |   |           |   |  |  |  |  |
| 7           | 14    | X   | 71973-2607 | X | 71973-2707 | X | 71973-2807 | .600<br>(15.24)  | .695<br>(17.65)  | .958<br>(24.33)  |           |   |  | 36 | 72      | X     | 71973-2636  | X | 71973-2736  | X       | 71973-2836 | 3.500<br>(88.90) | 3.595<br>(91.31) |  | 3.858<br>(97.99) |   |   |           |   |  |  |  |  |
| 8           | 16    | X   | 71973-2608 | X | 71973-2708 | X | 71973-2808 | .700<br>(17.78)  | .795<br>(20.19)  | 1.058<br>(26.87) |           |   |  |    |         |       |             |   |   |         |            |                  |                  |  |                  |   |   |           |   |  |  |  |  |
| 9           | 18    | X   | 71973-2609 | X | 71973-2709 | X | 71973-2809 | .800<br>(20.32)  | .895<br>(22.73)  | 1.158<br>(29.41) |           |   |  |    |         |       |             |   |   |         |            |                  |                  |  |                  |   |   |           |   |  |  |  |  |
| 10          | 20    | X   | 71973-2610 | X | 71973-2710 | X | 71973-2810 | .900<br>(22.86)  | .995<br>(25.27)  | 1.258<br>(31.95) |           |   |  |    |         |       |             |   |   |         |            |                  |                  |  |                  |   |   |           |   |  |  |  |  |
| 11          | 22    | X   | 71973-2611 | X | 71973-2711 | X | 71973-2811 | 1.000<br>(25.40) | 1.095<br>(27.81) | 1.358<br>(34.49) |           |   |  |    |         |       |             |   |   |         |            |                  |                  |  |                  |   |   |           |   |  |  |  |  |
| 12          | 24    | X   | 71973-2612 | X | 71973-2712 | X | 71973-2812 | 1.100<br>(27.94) | 1.195<br>(30.35) | 1.458<br>(37.03) |           |   |  |    |         |       |             |   |   |         |            |                  |                  |  |                  |   |   |           |   |  |  |  |  |
| 13          | 26    | X   | 71973-2613 | X | 71973-2713 | X | 71973-2813 | 1.200<br>(30.48) | 1.295<br>(32.89) | 1.558<br>(39.57) |           |   |  |    |         |       |             |   |   |         |            |                  |                  |  |                  |   |   |           |   |  |  |  |  |
| 14          | 28    | X   | 71973-2614 | X | 71973-2714 | X | 71973-2814 | 1.300<br>(33.02) | 1.395<br>(35.43) | 1.658<br>(42.11) |           |   |  |    |         |       |             |   |   |         |            |                  |                  |  |                  |   |   |           |   |  |  |  |  |
| 15          | 30    | X   | 71973-2615 | X | 71973-2715 | X | 71973-2815 | 1.400<br>(35.56) | 1.495<br>(37.97) | 1.758<br>(44.65) |           |   |  |    |         |       |             |   |   |         |            |                  |                  |  |                  |   |   |           |   |  |  |  |  |
| 16          | 32    | X   | 71973-2616 | X | 71973-2716 | X | 71973-2816 | 1.500<br>(38.10) | 1.595<br>(40.51) | 1.858<br>(47.19) |           |   |  |    |         |       |             |   |   |         |            |                  |                  |  |                  |   |   |           |   |  |  |  |  |
| 17          | 34    | X   | 71973-2617 | X | 71973-2717 | X | 71973-2817 | 1.600<br>(40.64) | 1.695<br>(43.05) | 1.958<br>(49.73) |           |   |  |    |         |       |             |   |   |         |            |                  |                  |  |                  |   |   |           |   |  |  |  |  |
| 18          | 36    | X   | 71973-2618 | X | 71973-2718 | X | 71973-2818 | 1.700<br>(43.18) | 1.795<br>(45.59) | 2.058<br>(52.27) |           |   |  |    |         |       |             |   |   |         |            |                  |                  |  |                  |   |   |           |   |  |  |  |  |
| 19          | 38    | X   | 71973-2619 | X | 71973-2719 | X | 71973-2819 | 1.800<br>(45.72) | 1.895<br>(48.13) | 2.158<br>(54.81) |           |   |  |    |         |       |             |   |   |         |            |                  |                  |  |                  |   |   |           |   |  |  |  |  |
| 20          | 40    | X   | 71973-2620 | X | 71973-2720 | X | 71973-2820 | 1.900<br>(48.26) | 1.995<br>(50.67) | 2.258<br>(57.35) |           |   |  |    |         |       |             |   |   |         |            |                  |                  |  |                  |   |   |           |   |  |  |  |  |
| 21          | 42    | X   | 71973-2621 | X | 71973-2721 | X | 71973-2821 | 2.000<br>(50.80) | 2.095<br>(53.21) | 2.358<br>(59.89) |           |   |  |    |         |       |             |   |   |         |            |                  |                  |  |                  |   |   |           |   |  |  |  |  |
| 22          | 44    | X   | 71973-2622 | X | 71973-2722 | X | 71973-2822 | 2.100<br>(53.34) | 2.195<br>(55.75) | 2.458<br>(62.43) |           |   |  |    |         |       |             |   |   |         |            |                  |                  |  |                  |   |   |           |   |  |  |  |  |
| 23          | 46    | X   | 71973-2623 | X | 71973-2723 | X | 71973-2823 | 2.200<br>(55.88) | 2.295<br>(58.29) | 2.558<br>(64.97) |           |   |  |    |         |       |             |   |   |         |            |                  |                  |  |                  |   |   |           |   |  |  |  |  |
| 24          | 48    | X   | 71973-2624 | X | 71973-2724 | X | 71973-2824 | 2.300<br>(58.42) | 2.395<br>(60.83) | 2.658<br>(67.51) |           |   |  |    |         |       |             |   |   |         |            |                  |                  |  |                  |   |   |           |   |  |  |  |  |
| 25          | 50    | X   | 71973-2625 | X | 71973-2725 | X | 71973-2825 | 2.400<br>(60.96) | 2.495<br>(63.37) | 2.758<br>(70.05) |           |   |  |    |         |       |             |   |   |         |            |                  |                  |  |                  |   |   |           |   |  |  |  |  |
| 26          | 52    | X   | 71973-2626 | X | 71973-2726 | X | 71973-2826 | 2.500<br>(63.50) | 2.595<br>(65.91) | 2.858<br>(72.59) |           |   |  |    |         |       |             |   |   |         |            |                  |                  |  |                  |   |   |           |   |  |  |  |  |
| 27          | 54    | X   | 71973-2627 | X | 71973-2727 | X | 71973-2827 | 2.600<br>(66.04) | 2.695<br>(68.45) | 2.958<br>(75.13) |           |   |  |    |         |       |             |   |   |         |            |                  |                  |  |                  |   |   |           |   |  |  |  |  |
| 28          | 56    | X   | 71973-2628 | X | 71973-2728 | X | 71973-2828 | 2.700<br>(68.58) | 2.795<br>(70.99) | 3.058<br>(77.67) |           |   |  |    |         |       |             |   |   |         |            |                  |                  |  |                  |   |   |           |   |  |  |  |  |
| 29          | 58    | X   | 71973-2629 | X | 71973-2729 | X | 71973-2829 | 2.800<br>(71.12) | 2.895<br>(73.53) | 3.158<br>(80.21) |           |   |  |    |         |       |             |   |   |         |            |                  |                  |  |                  |   |   |           |   |  |  |  |  |
| 30          | 60    | X   | 71973-2630 | X | 71973-2730 | X | 71973-2830 | 2.900<br>(73.66) | 2.995<br>(76.07) | 3.258<br>(82.75) |           |   |  |    |         |       |             |   |   |         |            |                  |                  |  |                  |   |   |           |   |  |  |  |  |
| 31          | 62    | X   | 71973-2631 | X | 71973-2731 | X | 71973-2831 | 3.000<br>(76.20) | 3.095<br>(78.61) | 3.358<br>(85.29) |           |   |  |    |         |       |             |   |   |         |            |                  |                  |  |                  |   |   |           |   |  |  |  |  |
| 32          | 64    | X   | 71973-2632 | X | 71973-2732 | X | 71973-2832 | 3.100<br>(78.74) | 3.195<br>(81.15) | 3.458<br>(87.83) |           |   |  |    |         |       |             |   |   |         |            |                  |                  |  |                  |   |   |           |   |  |  |  |  |

| <p>ADD OPTION K &amp; L<br/>EC NO: S2010-0534<br/>DRWN:SKANG 2009/12/30<br/>CHKD:ATSEE 2010/01/08<br/>APPR:MLONG 2010/01/14</p> | <p>QUALITY SYMBOLS<br/>F<sub>A</sub>=0<br/>F<sub>G</sub>=0<br/>F<sub>P</sub>=0</p> | GENERAL TOLERANCES (UNLESS SPECIFIED)   |                      | DIMENSION STYLE<br>IN/MM |    | SCALE<br>NTS                         | DESIGN UNITS<br>INCH | THIRD ANGLE PROJECTION |       |          |       |        |          |        |       |         |       |       |                 |  |                    |  |  |  |
|---|--|---|----------------------|--------------------------|----|--------------------------------------|----------------------|------------------------|-------|----------|-------|--------|----------|--------|-------|---------|-------|-------|-----------------|--|--------------------|--|--|--|
|   |  | <table border="1"> <tr> <th></th> <th>mm</th> <th>INCH</th> </tr> <tr> <td>4 PLACES</td> <td>± ---</td> <td>± ---</td> </tr> <tr> <td>3 PLACES</td> <td>± ---</td> <td>± .010</td> </tr> <tr> <td>2 PLACES</td> <td>± 0.25</td> <td>± ---</td> </tr> <tr> <td>1 PLACE</td> <td>± ---</td> <td>± ---</td> </tr> </table> |                      |                          | mm | INCH                                 | 4 PLACES             | ± ---                  | ± --- | 3 PLACES | ± --- | ± .010 | 2 PLACES | ± 0.25 | ± --- | 1 PLACE | ± --- | ± --- | DRAWN BY<br>DJB |  | DATE<br>1991/10/21 | <p>TITLE<br/>EARLY ENTRY R/A RECPT<br/>.120"PC TAIL W/O LOWER<br/>ROW PINSTOP-.100" GRID</p> |  |  |
|   |  |   | mm                   | INCH                     |    |                                      |                      |                        |       |          |       |        |          |        |       |         |       |       |                 |  |                    |  |  |  |
|   |  | 4 PLACES  | ± ---                | ± ---                    |    |                                      |                      |                        |       |          |       |        |          |        |       |         |       |       |                 |  |                    |  |  |  |
| 3 PLACES  | ± ---  | ± .010  |                      |                          |    |                                      |                      |                        |       |          |       |        |          |        |       |         |       |       |                 |  |                    |  |  |  |
| 2 PLACES  | ± 0.25   | ± ---   |                      |                          |    |                                      |                      |                        |       |          |       |        |          |        |       |         |       |       |                 |  |                    |  |  |  |
| 1 PLACE   | ± ---  | ± ---   |                      |                          |    |                                      |                      |                        |       |          |       |        |          |        |       |         |       |       |                 |  |                    |  |  |  |
| CHECKED BY<br>DJB   |  | DATE<br>1991/10/21  | APPROVED BY<br>MLONG |                          |    |                                      |                      |                        |       |          |       |        |          |        |       |         |       |       |                 |  |                    |  |  |  |
| ANGULAR ± 1/2°  |  | MATERIAL NO.  |                      | DATE<br>2010/01/14       |    | DOCUMENT NO.                         |                      |                        |       |          |       |        |          |        |       |         |       |       |                 |  |                    |  |  |  |
| DRAFT WHERE APPLICABLE<br>MUST REMAIN<br>WITHIN DIMENSIONS  |  | SEE TABLE   |                      | SHEET NO.<br>13 OF 26    |    | MOLEX INCORPORATED<br>SDA-71973-**** |                      |                        |       |          |       |        |          |        |       |         |       |       |                 |  |                    |  |  |  |

| NO. OF CKTS |       | OPTION C ASSEMBLY<br>PACKAGED IN TRAYS PER PK-70873-0239<br>(SEE SHEET 1 FOR FINISH SPECIFICATIONS) |            |            |                  |                  | DIMENSION |  |  |  |
|-------------|-------|---|------------|------------|------------------|------------------|-----------|--|--|--|
| PER ROW     | TOTAL |   |            |            | A                | B                |           |  |  |  |
|             |       | 15 GOLD   | 30 GOLD    | 50 GOLD    |                  |                  |           |  |  |  |
| 4           | 8     | 71973-7404  | 71973-7504 | 71973-7604 | .300<br>(7.62)   | .395<br>(10.03)  |           |  |  |  |
| 5           | 10    | 71973-7405  | 71973-7505 | 71973-7605 | .400<br>(10.16)  | .495<br>(12.57)  |           |  |  |  |
| 6           | 12    | 71973-7406  | 71973-7506 | 71973-7606 | .500<br>(12.70)  | .595<br>(15.11)  |           |  |  |  |
| 7           | 14    | 71973-7407  | 71973-7507 | 71973-7607 | .600<br>(15.24)  | .695<br>(17.65)  |           |  |  |  |
| 8           | 16    | 71973-7408  | 71973-7508 | 71973-7608 | .700<br>(17.78)  | .795<br>(20.19)  |           |  |  |  |
| 9           | 18    | 71973-7409  | 71973-7509 | 71973-7609 | .800<br>(20.32)  | .895<br>(22.73)  |           |  |  |  |
| 10          | 20    | 71973-7410  | 71973-7510 | 71973-7610 | .900<br>(22.86)  | .995<br>(25.27)  |           |  |  |  |
| 11          | 22    | 71973-7411  | 71973-7511 | 71973-7611 | 1.000<br>(25.40) | 1.095<br>(27.81) |           |  |  |  |
| 12          | 24    | 71973-7412  | 71973-7512 | 71973-7612 | 1.100<br>(27.94) | 1.195<br>(30.35) |           |  |  |  |
| 13          | 26    | 71973-7413  | 71973-7513 | 71973-7613 | 1.200<br>(30.48) | 1.295<br>(32.89) |           |  |  |  |
| 14          | 28    | 71973-7414  | 71973-7514 | 71973-7614 | 1.300<br>(33.02) | 1.395<br>(35.43) |           |  |  |  |
| 15          | 30    | 71973-7415  | 71973-7515 | 71973-7615 | 1.400<br>(35.56) | 1.495<br>(37.97) |           |  |  |  |
| 16          | 32    | 71973-7416  | 71973-7516 | 71973-7616 | 1.500<br>(38.10) | 1.595<br>(40.51) |           |  |  |  |
| 17          | 34    | 71973-7417  | 71973-7517 | 71973-7617 | 1.600<br>(40.64) | 1.695<br>(43.05) |           |  |  |  |
| 18          | 36    | 71973-7418  | 71973-7518 | 71973-7618 | 1.700<br>(43.18) | 1.795<br>(45.59) |           |  |  |  |
| 19          | 38    | 71973-7419  | 71973-7519 | 71973-7619 | 1.800<br>(45.72) | 1.895<br>(48.13) |           |  |  |  |
| 20          | 40    | 71973-7420  | 71973-7520 | 71973-7620 | 1.900<br>(48.26) | 1.995<br>(50.67) |           |  |  |  |
| 21          | 42    | 71973-7421  | 71973-7521 | 71973-7621 | 2.000<br>(50.80) | 2.095<br>(53.21) |           |  |  |  |
| 22          | 44    | 71973-7422  | 71973-7522 | 71973-7622 | 2.100<br>(53.34) | 2.195<br>(55.75) |           |  |  |  |
| 23          | 46    | 71973-7423  | 71973-7523 | 71973-7623 | 2.200<br>(55.88) | 2.295<br>(58.29) |           |  |  |  |
| 24          | 48    | 71973-7424  | 71973-7524 | 71973-7624 | 2.300<br>(58.42) | 2.395<br>(60.83) |           |  |  |  |
| 25          | 50    | 71973-7425  | 71973-7525 | 71973-7625 | 2.400<br>(60.96) | 2.495<br>(63.37) |           |  |  |  |
| 26          | 52    | 71973-7426  | 71973-7526 | 71973-7626 | 2.500<br>(63.50) | 2.595<br>(65.91) |           |  |  |  |
| 27          | 54    | 71973-7427  | 71973-7527 | 71973-7627 | 2.600<br>(66.04) | 2.695<br>(68.45) |           |  |  |  |
| 28          | 56    | 71973-7428  | 71973-7528 | 71973-7628 | 2.700<br>(68.58) | 2.795<br>(70.99) |           |  |  |  |
| 29          | 58    | 71973-7429  | 71973-7529 | 71973-7629 | 2.800<br>(71.12) | 2.895<br>(73.53) |           |  |  |  |
| 30          | 60    | 71973-7430  | 71973-7530 | 71973-7630 | 2.900<br>(73.66) | 2.995<br>(76.07) |           |  |  |  |
| 31          | 62    | 71973-7431  | 71973-7531 | 71973-7631 | 3.000<br>(76.20) | 3.095<br>(78.61) |           |  |  |  |
| 32          | 64    | 71973-7432  | 71973-7532 | 71973-7632 | 3.100<br>(78.74) | 3.195<br>(81.15) |           |  |  |  |

| NO. OF CKTS |       | OPTION C ASSEMBLY<br>PACKAGED IN TRAYS PER PK-70873-0239<br>(SEE SHEET 1 FOR FINISH SPECIFICATIONS) |            |            |                  |                  | DIMENSION |  |  |  |
|-------------|-------|---|------------|------------|------------------|------------------|-----------|--|--|--|
| PER ROW     | TOTAL |   |            |            | A                | B                |           |  |  |  |
|             |       | 15 GOLD   | 30 GOLD    | 50 GOLD    |                  |                  |           |  |  |  |
| 33          | 66    | 71973-7433  | 71973-7533 | 71973-7633 | 3.200<br>(81.28) | 3.295<br>(83.69) |           |  |  |  |
| 34          | 68    | 71973-7434  | 71973-7534 | 71973-7634 | 3.300<br>(83.82) | 3.395<br>(86.23) |           |  |  |  |
| 35          | 70    | 71973-7435  | 71973-7535 | 71973-7635 | 3.400<br>(86.36) | 3.495<br>(88.77) |           |  |  |  |
| 36          | 72    | 71973-7436  | 71973-7536 | 71973-7636 | 3.500<br>(88.90) | 3.595<br>(91.31) |           |  |  |  |

| <b>ADD OPTION K &amp; L</b><br>EC NO: S2010-0534<br>DRWN:SKANG 2009/12/30<br>CHKD:ATSEE 2010/01/08<br>APPR:MLONG 2010/01/14 | QUALITY SYMBOLS<br>$F_A=0$<br>$F_C=0$<br>$F_P=0$ | GENERAL TOLERANCES (UNLESS SPECIFIED)  |                    | DIMENSION STYLE<br>IN/MM |      | SCALE<br>NTS   | DESIGN UNITS<br>INCH | THIRD ANGLE PROJECTION |        |                 |       |               |       |                 |                    |  |  |  |  |
|---|--|--|--------------------|--------------------------|------|----------------|----------------------|------------------------|--------|-----------------|-------|---------------|-------|-----------------|--------------------|--|--|--|--|
|   |  | <table border="1"> <tr><th>mm</th><th>INCH</th></tr> <tr><td>4 PLACES ± ---</td><td>± ---</td></tr> <tr><td>3 PLACES ± ---</td><td>± .010</td></tr> <tr><td>2 PLACES ± 0.25</td><td>± ---</td></tr> <tr><td>1 PLACE ± ---</td><td>± ---</td></tr> </table> |                    | mm                       | INCH | 4 PLACES ± --- | ± ---                | 3 PLACES ± ---         | ± .010 | 2 PLACES ± 0.25 | ± --- | 1 PLACE ± --- | ± --- | DRAWN BY<br>DJB | DATE<br>1991/10/21 | TITLE<br>EARLY ENTRY R/A RECPT<br>.120"PC TAIL W/O LOWER<br>ROW PINSTOP-.100" GRID |  |  |  |
|   |  | mm   | INCH               |                          |      |                |                      |                        |        |                 |       |               |       |                 |                    |  |  |  |  |
|   |  | 4 PLACES ± ---   | ± ---              |                          |      |                |                      |                        |        |                 |       |               |       |                 |                    |  |  |  |  |
| 3 PLACES ± ---  | ± .010   |  |                    |                          |      |                |                      |                        |        |                 |       |               |       |                 |                    |  |  |  |  |
| 2 PLACES ± 0.25   | ± ---  |  |                    |                          |      |                |                      |                        |        |                 |       |               |       |                 |                    |  |  |  |  |
| 1 PLACE ± ---   | ± ---  |  |                    |                          |      |                |                      |                        |        |                 |       |               |       |                 |                    |  |  |  |  |
| ANGULAR ± 1/2°  |  | CHECKED BY<br>DJB  | DATE<br>1991/10/21 | APPROVED BY<br>MLONG     |      |                |                      | DATE<br>2010/01/14     |        |                 |       |               |       |                 |                    |  |  |  |  |
| DRAFT WHERE APPLICABLE<br>MUST REMAIN<br>WITHIN DIMENSIONS  |  | SEE TABLE  |                    | MATERIAL NO.             |      | DOCUMENT NO.   |                      | SHEET NO.              |        |                 |       |               |       |                 |                    |  |  |  |  |



| 10          |       | 9   |  | 8          |            | 7          |                  | 6                |   | 5 |                  | 4           |         | 3   |         | 2          |            | 1          |         |           |                  |                  |  |  |                  |
|-------------|-------|---|--|------------|------------|------------|------------------|------------------|---|---|------------------|-------------|---------|---|---------|------------|------------|------------|---------|-----------|------------------|------------------|--|--|------------------|
| NO. OF CKTS |       | OPTION D ASSEMBLY<br>PACKAGED IN TRAYS PER PK-70873-0239<br>(SEE SHEET I FOR FINISH SPECIFICATIONS) |  |            |            |            |                  | DIMENSION        |   |   |                  | NO. OF CKTS |         | OPTION D ASSEMBLY<br>PACKAGED IN TRAYS PER PK-70873-0239<br>(SEE SHEET I FOR FINISH SPECIFICATIONS) |         |            |            |            |         | DIMENSION |                  |                  |  |  |                  |
| PER ROW     | TOTAL | 15 GOLD   |  | 30 GOLD    |            | 50 GOLD    |                  | A                | B |   |                  | D           | PER ROW | TOTAL   | 15 GOLD |            | 30 GOLD    |            | 50 GOLD |           | A                | B                |  |  | D                |
| 4           | 8     |   |  | 71973-7804 | 71973-7904 | 71973-8004 | .300<br>(7.62)   | .395<br>(10.03)  |   |   | .658<br>(16.71)  | 33          | 66      |   |         | 71973-7833 | 71973-7933 | 71973-8033 |         |           | 3.200<br>(81.28) | 3.295<br>(83.69) |  |  | 3.558<br>(90.37) |
| 5           | 10    |   |  | 71973-7805 | 71973-7905 | 71973-8005 | .400<br>(10.16)  | .495<br>(12.57)  |   |   | .758<br>(19.25)  | 34          | 68      |   |         | 71973-7834 | 71973-7934 | 71973-8034 |         |           | 3.300<br>(83.82) | 3.395<br>(86.23) |  |  | 3.658<br>(92.91) |
| 6           | 12    |   |  | 71973-7806 | 71973-7906 | 71973-8006 | .500<br>(12.70)  | .595<br>(15.11)  |   |   | .858<br>(21.79)  | 35          | 70      |   |         | 71973-7835 | 71973-7935 | 71973-8035 |         |           | 3.400<br>(86.36) | 3.495<br>(88.77) |  |  | 3.758<br>(95.45) |
| 7           | 14    |   |  | 71973-7807 | 71973-7907 | 71973-8007 | .600<br>(15.24)  | .695<br>(17.65)  |   |   | .958<br>(24.33)  | 36          | 72      |   |         | 71973-7836 | 71973-7936 | 71973-8036 |         |           | 3.500<br>(88.90) | 3.595<br>(91.31) |  |  | 3.858<br>(97.99) |
| 8           | 16    |   |  | 71973-7808 | 71973-7908 | 71973-8008 | .700<br>(17.78)  | .795<br>(20.19)  |   |   | 1.058<br>(26.87) |             |         |   |         |            |            |            |         |           |                  |                  |  |  |                  |
| 9           | 18    |   |  | 71973-7809 | 71973-7909 | 71973-8009 | .800<br>(20.32)  | .895<br>(22.73)  |   |   | 1.158<br>(29.41) |             |         |   |         |            |            |            |         |           |                  |                  |  |  |                  |
| 10          | 20    |   |  | 71973-7810 | 71973-7910 | 71973-8010 | .900<br>(22.86)  | .995<br>(25.27)  |   |   | 1.258<br>(31.95) |             |         |   |         |            |            |            |         |           |                  |                  |  |  |                  |
| 11          | 22    |   |  | 71973-7811 | 71973-7911 | 71973-8011 | 1.000<br>(25.40) | 1.095<br>(27.81) |   |   | 1.358<br>(34.49) |             |         |   |         |            |            |            |         |           |                  |                  |  |  |                  |
| 12          | 24    |   |  | 71973-7812 | 71973-7912 | 71973-8012 | 1.100<br>(27.94) | 1.195<br>(30.35) |   |   | 1.458<br>(37.03) |             |         |   |         |            |            |            |         |           |                  |                  |  |  |                  |
| 13          | 26    |   |  | 71973-7813 | 71973-7913 | 71973-8013 | 1.200<br>(30.48) | 1.295<br>(32.89) |   |   | 1.558<br>(39.57) |             |         |   |         |            |            |            |         |           |                  |                  |  |  |                  |
| 14          | 28    |   |  | 71973-7814 | 71973-7914 | 71973-8014 | 1.300<br>(33.02) | 1.395<br>(35.43) |   |   | 1.658<br>(42.11) |             |         |   |         |            |            |            |         |           |                  |                  |  |  |                  |
| 15          | 30    |   |  | 71973-7815 | 71973-7915 | 71973-8015 | 1.400<br>(35.56) | 1.495<br>(37.97) |   |   | 1.758<br>(44.65) |             |         |   |         |            |            |            |         |           |                  |                  |  |  |                  |
| 16          | 32    |   |  | 71973-7816 | 71973-7916 | 71973-8016 | 1.500<br>(38.10) | 1.595<br>(40.51) |   |   | 1.858<br>(47.19) |             |         |   |         |            |            |            |         |           |                  |                  |  |  |                  |
| 17          | 34    |   |  | 71973-7817 | 71973-7917 | 71973-8017 | 1.600<br>(40.64) | 1.695<br>(43.05) |   |   | 1.958<br>(49.73) |             |         |   |         |            |            |            |         |           |                  |                  |  |  |                  |
| 18          | 36    |   |  | 71973-7818 | 71973-7918 | 71973-8018 | 1.700<br>(43.18) | 1.795<br>(45.59) |   |   | 2.058<br>(52.27) |             |         |   |         |            |            |            |         |           |                  |                  |  |  |                  |
| 19          | 38    |   |  | 71973-7819 | 71973-7919 | 71973-8019 | 1.800<br>(45.72) | 1.895<br>(48.13) |   |   | 2.158<br>(54.81) |             |         |   |         |            |            |            |         |           |                  |                  |  |  |                  |
| 20          | 40    |   |  | 71973-7820 | 71973-7920 | 71973-8020 | 1.900<br>(48.26) | 1.995<br>(50.67) |   |   | 2.258<br>(57.35) |             |         |   |         |            |            |            |         |           |                  |                  |  |  |                  |
| 21          | 42    |   |  | 71973-7821 | 71973-7921 | 71973-8021 | 2.000<br>(50.80) | 2.095<br>(53.21) |   |   | 2.358<br>(59.89) |             |         |   |         |            |            |            |         |           |                  |                  |  |  |                  |
| 22          | 44    |   |  | 71973-7822 | 71973-7922 | 71973-8022 | 2.100<br>(53.34) | 2.195<br>(55.75) |   |   | 2.458<br>(62.43) |             |         |   |         |            |            |            |         |           |                  |                  |  |  |                  |
| 23          | 46    |   |  | 71973-7823 | 71973-7923 | 71973-8023 | 2.200<br>(55.88) | 2.295<br>(58.29) |   |   | 2.558<br>(64.97) |             |         |   |         |            |            |            |         |           |                  |                  |  |  |                  |
| 24          | 48    |   |  | 71973-7824 | 71973-7924 | 71973-8024 | 2.300<br>(58.42) | 2.395<br>(60.83) |   |   | 2.658<br>(67.51) |             |         |   |         |            |            |            |         |           |                  |                  |  |  |                  |
| 25          | 50    |   |  | 71973-7825 | 71973-7925 | 71973-8025 | 2.400<br>(60.96) | 2.495<br>(63.37) |   |   | 2.758<br>(70.05) |             |         |   |         |            |            |            |         |           |                  |                  |  |  |                  |
| 26          | 52    |   |  | 71973-7826 | 71973-7926 | 71973-8026 | 2.500<br>(63.50) | 2.595<br>(65.91) |   |   | 2.858<br>(72.59) |             |         |   |         |            |            |            |         |           |                  |                  |  |  |                  |
| 27          | 54    |   |  | 71973-7827 | 71973-7927 | 71973-8027 | 2.600<br>(66.04) | 2.695<br>(68.45) |   |   | 2.958<br>(75.13) |             |         |   |         |            |            |            |         |           |                  |                  |  |  |                  |
| 28          | 56    |   |  | 71973-7828 | 71973-7928 | 71973-8028 | 2.700<br>(68.58) | 2.795<br>(70.99) |   |   | 3.058<br>(77.67) |             |         |   |         |            |            |            |         |           |                  |                  |  |  |                  |
| 29          | 58    |   |  | 71973-7829 | 71973-7929 | 71973-8029 | 2.800<br>(71.12) | 2.895<br>(73.53) |   |   | 3.158<br>(80.21) |             |         |   |         |            |            |            |         |           |                  |                  |  |  |                  |
| 30          | 60    |   |  | 71973-7830 | 71973-7930 | 71973-8030 | 2.900<br>(73.66) | 2.995<br>(76.07) |   |   | 3.258<br>(82.75) |             |         |   |         |            |            |            |         |           |                  |                  |  |  |                  |
| 31          | 62    |   |  | 71973-7831 | 71973-7931 | 71973-8031 | 3.000<br>(76.20) | 3.095<br>(78.61) |   |   | 3.358<br>(85.29) |             |         |   |         |            |            |            |         |           |                  |                  |  |  |                  |
| 32          | 64    |   |  | 71973-7832 | 71973-7932 | 71973-8032 | 3.100<br>(78.74) | 3.195<br>(81.15) |   |   | 3.458<br>(87.83) |             |         |   |         |            |            |            |         |           |                  |                  |  |  |                  |

|  |  |   |   |              |                |                        |  |
|--|--|---|---|--------------|----------------|------------------------|--|
| ADD OPTION K & L<br>EC NO: S2010-0534<br>DRWN:SKANG 2009/12/30<br>CHKD:ATSEE 2010/01/08<br>APPR:MLONG 2010/01/14 | QUALITY SYMBOLS  | GENERAL TOLERANCES (UNLESS SPECIFIED)   | DIMENSION STYLE   | SCALE        | DESIGN UNITS   | THIRD ANGLE PROJECTION |  |
|  | $F_A = 0$<br>$F_G = 0$<br>$F_P = 0$                        | mm      INCH<br>4 PLACES ± --- ± ---<br>3 PLACES ± --- ± .010<br>2 PLACES ± 0.25 ± ---<br>1 PLACE ± --- ± ---<br>ANGULAR ± 1/2° | IN/MM<br>DRAWN BY: DJB      DATE: 1991/10/21<br>CHECKED BY: DJB      DATE: 1991/10/21<br>APPROVED BY: MLONG      DATE: 2010/01/14 | NTS          | INCH           |                        | TITLE<br>EARLY ENTRY R/A RECPT<br>.120"PC TAIL W/O LOWER<br>ROW PINSTOP-.100" GRID |
|  | MATERIAL NO.   | SEE TABLE   |   | DOCUMENT NO. | SDA-71973-**** | SHEET NO.              | 15 OF 26   |
|  | DRAFT WHERE APPLICABLE<br>MUST REMAIN<br>WITHIN DIMENSIONS | SIZE<br>A3  | THIS DRAWING CONTAINS INFORMATION THAT IS PROPRIETARY TO MOLEX<br>INCORPORATED AND SHOULD NOT BE USED WITHOUT WRITTEN PERMISSION  |              |                |                        |  |

| 10          |       | 9   |  | 8          |            | 7          |                  | 6                |   | 5 |  | 4           |  | 3   |            | 2          |            | 1                |                  |           |   |  |  |  |  |  |  |  |  |
|-------------|-------|---|--|------------|------------|------------|------------------|------------------|---|---|--|-------------|--|---|------------|------------|------------|------------------|------------------|-----------|---|--|--|--|--|--|--|--|--|
| NO. OF CKTS |       | OPTION E ASSEMBLY<br>PACKAGED IN TUBES PER PK-70873-0138<br>(SEE SHEET I FOR FINISH SPECIFICATIONS) |  |            |            |            |                  | DIMENSION        |   |   |  | NO. OF CKTS |  | OPTION E ASSEMBLY<br>PACKAGED IN TUBES PER PK-70873-0138<br>(SEE SHEET I FOR FINISH SPECIFICATIONS) |            |            |            |                  |                  | DIMENSION |   |  |  |  |  |  |  |  |  |
| PER ROW     | TOTAL | 15 GOLD   |  | 30 GOLD    |            | 50 GOLD    |                  | A                | B |   |  |             |  | 15 GOLD   |            | 30 GOLD    |            | 50 GOLD          |                  | A         | B |  |  |  |  |  |  |  |  |
| 4           | 8     |   |  | 71973-3404 | 71973-3504 | 71973-3604 | .300<br>(7.62)   | .395<br>(10.03)  |   |   |  |             |  |   | 71973-3434 | 71973-3534 | 71973-3634 | 3.300<br>(83.82) | 3.395<br>(86.23) |           |   |  |  |  |  |  |  |  |  |
| 5           | 10    |   |  | 71973-3405 | 71973-3505 | 71973-3605 | .400<br>(10.16)  | .495<br>(12.57)  |   |   |  |             |  |   | 71973-3435 | 71973-3535 | 71973-3635 | 3.400<br>(86.36) | 3.495<br>(88.77) |           |   |  |  |  |  |  |  |  |  |
| 6           | 12    |   |  | 71973-3406 | 71973-3506 | 71973-3606 | .500<br>(12.70)  | .595<br>(15.11)  |   |   |  |             |  |   | 71973-3436 | 71973-3536 | 71973-3636 | 3.500<br>(88.90) | 3.595<br>(91.31) |           |   |  |  |  |  |  |  |  |  |
| 7           | 14    |   |  | 71973-3407 | 71973-3507 | 71973-3607 | .600<br>(15.24)  | .695<br>(17.65)  |   |   |  |             |  |   |            |            |            |                  |                  |           |   |  |  |  |  |  |  |  |  |
| 8           | 16    |   |  | 71973-3408 | 71973-3508 | 71973-3608 | .700<br>(17.78)  | .795<br>(20.19)  |   |   |  |             |  |   |            |            |            |                  |                  |           |   |  |  |  |  |  |  |  |  |
| 9           | 18    |   |  | 71973-3409 | 71973-3509 | 71973-3609 | .800<br>(20.32)  | .895<br>(22.73)  |   |   |  |             |  |   |            |            |            |                  |                  |           |   |  |  |  |  |  |  |  |  |
| 10          | 20    |   |  | 71973-3410 | 71973-3510 | 71973-3610 | .900<br>(22.86)  | .995<br>(25.27)  |   |   |  |             |  |   |            |            |            |                  |                  |           |   |  |  |  |  |  |  |  |  |
| 11          | 22    |   |  | 71973-3411 | 71973-3511 | 71973-3611 | 1.000<br>(25.40) | 1.095<br>(27.81) |   |   |  |             |  |   |            |            |            |                  |                  |           |   |  |  |  |  |  |  |  |  |
| 12          | 24    |   |  | 71973-3412 | 71973-3512 | 71973-3612 | 1.100<br>(27.94) | 1.195<br>(30.35) |   |   |  |             |  |   |            |            |            |                  |                  |           |   |  |  |  |  |  |  |  |  |
| 13          | 26    |   |  | 71973-3413 | 71973-3513 | 71973-3613 | 1.200<br>(30.48) | 1.295<br>(32.89) |   |   |  |             |  |   |            |            |            |                  |                  |           |   |  |  |  |  |  |  |  |  |
| 14          | 28    |   |  | 71973-3414 | 71973-3514 | 71973-3614 | 1.300<br>(33.02) | 1.395<br>(35.43) |   |   |  |             |  |   |            |            |            |                  |                  |           |   |  |  |  |  |  |  |  |  |
| 15          | 30    |   |  | 71973-3415 | 71973-3515 | 71973-3615 | 1.400<br>(35.56) | 1.495<br>(37.97) |   |   |  |             |  |   |            |            |            |                  |                  |           |   |  |  |  |  |  |  |  |  |
| 16          | 32    |   |  | 71973-3416 | 71973-3516 | 71973-3616 | 1.500<br>(38.10) | 1.595<br>(40.51) |   |   |  |             |  |   |            |            |            |                  |                  |           |   |  |  |  |  |  |  |  |  |
| 17          | 34    |   |  | 71973-3417 | 71973-3517 | 71973-3617 | 1.600<br>(40.64) | 1.695<br>(43.05) |   |   |  |             |  |   |            |            |            |                  |                  |           |   |  |  |  |  |  |  |  |  |
| 18          | 36    |   |  | 71973-3418 | 71973-3518 | 71973-3618 | 1.700<br>(43.18) | 1.795<br>(45.59) |   |   |  |             |  |   |            |            |            |                  |                  |           |   |  |  |  |  |  |  |  |  |
| 19          | 38    |   |  | 71973-3419 | 71973-3519 | 71973-3619 | 1.800<br>(45.72) | 1.895<br>(48.13) |   |   |  |             |  |   |            |            |            |                  |                  |           |   |  |  |  |  |  |  |  |  |
| 20          | 40    |   |  | 71973-3420 | 71973-3520 | 71973-3620 | 1.900<br>(48.26) | 1.995<br>(50.67) |   |   |  |             |  |   |            |            |            |                  |                  |           |   |  |  |  |  |  |  |  |  |
| 21          | 42    |   |  | 71973-3421 | 71973-3521 | 71973-3621 | 2.000<br>(50.80) | 2.095<br>(53.21) |   |   |  |             |  |   |            |            |            |                  |                  |           |   |  |  |  |  |  |  |  |  |
| 22          | 44    |   |  | 71973-3422 | 71973-3522 | 71973-3622 | 2.100<br>(53.34) | 2.195<br>(55.75) |   |   |  |             |  |   |            |            |            |                  |                  |           |   |  |  |  |  |  |  |  |  |
| 23          | 46    |   |  | 71973-3423 | 71973-3523 | 71973-3623 | 2.200<br>(55.88) | 2.295<br>(58.29) |   |   |  |             |  |   |            |            |            |                  |                  |           |   |  |  |  |  |  |  |  |  |
| 24          | 48    |   |  | 71973-3424 | 71973-3524 | 71973-3624 | 2.300<br>(58.42) | 2.395<br>(60.83) |   |   |  |             |  |   |            |            |            |                  |                  |           |   |  |  |  |  |  |  |  |  |
| 25          | 50    |   |  | 71973-3425 | 71973-3525 | 71973-3625 | 2.400<br>(60.96) | 2.495<br>(63.37) |   |   |  |             |  |   |            |            |            |                  |                  |           |   |  |  |  |  |  |  |  |  |
| 26          | 52    |   |  | 71973-3426 | 71973-3526 | 71973-3626 | 2.500<br>(63.50) | 2.595<br>(65.91) |   |   |  |             |  |   |            |            |            |                  |                  |           |   |  |  |  |  |  |  |  |  |
| 27          | 54    |   |  | 71973-3427 | 71973-3527 | 71973-3627 | 2.600<br>(66.04) | 2.695<br>(68.45) |   |   |  |             |  |   |            |            |            |                  |                  |           |   |  |  |  |  |  |  |  |  |
| 28          | 56    |   |  | 71973-3428 | 71973-3528 | 71973-3628 | 2.700<br>(68.58) | 2.795<br>(70.99) |   |   |  |             |  |   |            |            |            |                  |                  |           |   |  |  |  |  |  |  |  |  |
| 29          | 58    |   |  | 71973-3429 | 71973-3529 | 71973-3629 | 2.800<br>(71.12) | 2.895<br>(73.53) |   |   |  |             |  |   |            |            |            |                  |                  |           |   |  |  |  |  |  |  |  |  |
| 30          | 60    |   |  | 71973-3430 | 71973-3530 | 71973-3630 | 2.900<br>(73.66) | 2.995<br>(76.07) |   |   |  |             |  |   |            |            |            |                  |                  |           |   |  |  |  |  |  |  |  |  |
| 31          | 62    |   |  | 71973-3431 | 71973-3531 | 71973-3631 | 3.000<br>(76.20) | 3.095<br>(78.61) |   |   |  |             |  |   |            |            |            |                  |                  |           |   |  |  |  |  |  |  |  |  |
| 32          | 64    |   |  | 71973-3432 | 71973-3532 | 71973-3632 | 3.100<br>(78.74) | 3.195<br>(81.15) |   |   |  |             |  |   |            |            |            |                  |                  |           |   |  |  |  |  |  |  |  |  |
| 33          | 66    |   |  | 71973-3433 | 71973-3533 | 71973-3633 | 3.200<br>(81.28) | 3.295<br>(83.69) |   |   |  |             |  |   |            |            |            |                  |                  |           |   |  |  |  |  |  |  |  |  |

|   |  |   |  |   |   |  |
|---|--|---|--|---|---|--|
| ADD OPTION K & L<br>EC NO: S2010-0534<br>DRWN:SKANG 2009/12/30<br>CHKD:ATSEE 2010/01/08<br>APPR:MLONG 2010/01/14<br>K | QUALITY SYMBOLS<br>$F_A=0$<br>$F_B=0$<br>$F_P=0$     | GENERAL TOLERANCES (UNLESS SPECIFIED)<br>mm INCH<br>4 PLACES ± --- ± ---<br>3 PLACES ± --- ± .010<br>2 PLACES ± 0.25 ± ---<br>1 PLACE ± --- ± ---<br>ANGULAR ± 1/2° | DIMENSION STYLE<br>IN/MM<br>DRAWN BY DATE<br>DJB 1991/10/21<br>CHECKED BY DATE<br>DJB 1991/10/21<br>APPROVED BY DATE<br>MLONG 2010/01/14 | SCALE<br>NTS<br>DESIGN UNITS<br>INCH<br>THIRD ANGLE PROJECTION  | TITLE<br>EARLY ENTRY R/A RECPT<br>.120"PC TAIL W/O LOWER<br>ROW PINSTOP-.100" GRID<br>MOLEX INCORPORATED<br>DOCUMENT NO.<br>SDA-71973-****<br>SHEET NO.<br>16 OF 26 |  |
|   | DRAFT WHERE APPLICABLE MUST REMAIN WITHIN DIMENSIONS |   | SEE TABLE  | THIS DRAWING CONTAINS INFORMATION THAT IS PROPRIETARY TO MOLEX INCORPORATED AND SHOULD NOT BE USED WITHOUT WRITTEN PERMISSION |   |  |
|   | "X" INDICATES TOOLING IS NOT AVAILABLE               |   |  |   |   |  |
|   |  |   |  |   |   |  |



| NO. OF CKTS |       | OPTION E ASSEMBLY<br>PACKAGED IN TRAYS PER PK-70873-0239<br>(SEE SHEET I FOR FINISH SPECIFICATIONS) |            |            |                  |                  | DIMENSION |       | NO. OF CKTS |            | OPTION E ASSEMBLY<br>PACKAGED IN TRAYS PER PK-70873-0239<br>(SEE SHEET I FOR FINISH SPECIFICATIONS) |                  |                  |  |  | DIMENSION |  |
|-------------|-------|---|------------|------------|------------------|------------------|-----------|-------|-------------|------------|---|------------------|------------------|--|--|-----------|--|
| PER ROW     | TOTAL | 15 GOLD   | 30 GOLD    | 50 GOLD    | A                | B                | PER ROW   | TOTAL | 15 GOLD     | 30 GOLD    | 50 GOLD   | A                | B                |  |  |           |  |
| 4           | 8     | 71973-8204  | 71973-8304 | 71973-8404 | .300<br>(7.62)   | .395<br>(10.03)  | 34        | 68    | 71973-8234  | 71973-8334 | 71973-8434  | 3.300<br>(83.82) | 3.395<br>(86.23) |  |  |           |  |
| 5           | 10    | 71973-8205  | 71973-8305 | 71973-8405 | .400<br>(10.16)  | .495<br>(12.57)  | 35        | 70    | 71973-8235  | 71973-8335 | 71973-8435  | 3.400<br>(86.36) | 3.495<br>(88.77) |  |  |           |  |
| 6           | 12    | 71973-8206  | 71973-8306 | 71973-8406 | .500<br>(12.70)  | .595<br>(15.11)  | 36        | 72    | 71973-8236  | 71973-8336 | 71973-8436  | 3.500<br>(88.90) | 3.595<br>(91.31) |  |  |           |  |
| 7           | 14    | 71973-8207  | 71973-8307 | 71973-8407 | .600<br>(15.24)  | .695<br>(17.65)  |           |       |             |            |   |                  |                  |  |  |           |  |
| 8           | 16    | 71973-8208  | 71973-8308 | 71973-8408 | .700<br>(17.78)  | .795<br>(20.19)  |           |       |             |            |   |                  |                  |  |  |           |  |
| 9           | 18    | 71973-8209  | 71973-8309 | 71973-8409 | .800<br>(20.32)  | .895<br>(22.73)  |           |       |             |            |   |                  |                  |  |  |           |  |
| 10          | 20    | 71973-8210  | 71973-8310 | 71973-8410 | .900<br>(22.86)  | .995<br>(25.27)  |           |       |             |            |   |                  |                  |  |  |           |  |
| 11          | 22    | 71973-8211  | 71973-8311 | 71973-8411 | 1.000<br>(25.40) | 1.095<br>(27.81) |           |       |             |            |   |                  |                  |  |  |           |  |
| 12          | 24    | 71973-8212  | 71973-8312 | 71973-8412 | 1.100<br>(27.94) | 1.195<br>(30.35) |           |       |             |            |   |                  |                  |  |  |           |  |
| 13          | 26    | 71973-8213  | 71973-8313 | 71973-8413 | 1.200<br>(30.48) | 1.295<br>(32.89) |           |       |             |            |   |                  |                  |  |  |           |  |
| 14          | 28    | 71973-8214  | 71973-8314 | 71973-8414 | 1.300<br>(33.02) | 1.395<br>(35.43) |           |       |             |            |   |                  |                  |  |  |           |  |
| 15          | 30    | 71973-8215  | 71973-8315 | 71973-8415 | 1.400<br>(35.56) | 1.495<br>(37.97) |           |       |             |            |   |                  |                  |  |  |           |  |
| 16          | 32    | 71973-8216  | 71973-8316 | 71973-8416 | 1.500<br>(38.10) | 1.595<br>(40.51) |           |       |             |            |   |                  |                  |  |  |           |  |
| 17          | 34    | 71973-8217  | 71973-8317 | 71973-8417 | 1.600<br>(40.64) | 1.695<br>(43.05) |           |       |             |            |   |                  |                  |  |  |           |  |
| 18          | 36    | 71973-8218  | 71973-8318 | 71973-8418 | 1.700<br>(43.18) | 1.795<br>(45.59) |           |       |             |            |   |                  |                  |  |  |           |  |
| 19          | 38    | 71973-8219  | 71973-8319 | 71973-8419 | 1.800<br>(45.72) | 1.895<br>(48.13) |           |       |             |            |   |                  |                  |  |  |           |  |
| 20          | 40    | 71973-8220  | 71973-8320 | 71973-8420 | 1.900<br>(48.26) | 1.995<br>(50.67) |           |       |             |            |   |                  |                  |  |  |           |  |
| 21          | 42    | 71973-8221  | 71973-8321 | 71973-8421 | 2.000<br>(50.80) | 2.095<br>(53.21) |           |       |             |            |   |                  |                  |  |  |           |  |
| 22          | 44    | 71973-8222  | 71973-8322 | 71973-8422 | 2.100<br>(53.34) | 2.195<br>(55.75) |           |       |             |            |   |                  |                  |  |  |           |  |
| 23          | 46    | 71973-8223  | 71973-8323 | 71973-8423 | 2.200<br>(55.88) | 2.295<br>(58.29) |           |       |             |            |   |                  |                  |  |  |           |  |
| 24          | 48    | 71973-8224  | 71973-8324 | 71973-8424 | 2.300<br>(58.42) | 2.395<br>(60.83) |           |       |             |            |   |                  |                  |  |  |           |  |
| 25          | 50    | 71973-8225  | 71973-8325 | 71973-8425 | 2.400<br>(60.96) | 2.495<br>(63.37) |           |       |             |            |   |                  |                  |  |  |           |  |
| 26          | 52    | 71973-8226  | 71973-8326 | 71973-8426 | 2.500<br>(63.50) | 2.595<br>(65.91) |           |       |             |            |   |                  |                  |  |  |           |  |
| 27          | 54    | 71973-8227  | 71973-8327 | 71973-8427 | 2.600<br>(66.04) | 2.695<br>(68.45) |           |       |             |            |   |                  |                  |  |  |           |  |
| 28          | 56    | 71973-8228  | 71973-8328 | 71973-8428 | 2.700<br>(68.58) | 2.795<br>(70.99) |           |       |             |            |   |                  |                  |  |  |           |  |
| 29          | 58    | 71973-8229  | 71973-8329 | 71973-8429 | 2.800<br>(71.12) | 2.895<br>(73.53) |           |       |             |            |   |                  |                  |  |  |           |  |
| 30          | 60    | 71973-8230  | 71973-8330 | 71973-8430 | 2.900<br>(73.66) | 2.995<br>(76.07) |           |       |             |            |   |                  |                  |  |  |           |  |
| 31          | 62    | 71973-8231  | 71973-8331 | 71973-8431 | 3.000<br>(76.20) | 3.095<br>(78.61) |           |       |             |            |   |                  |                  |  |  |           |  |
| 32          | 64    | 71973-8232  | 71973-8332 | 71973-8432 | 3.100<br>(78.74) | 3.195<br>(81.15) |           |       |             |            |   |                  |                  |  |  |           |  |
| 33          | 66    | 71973-8233  | 71973-8333 | 71973-8433 | 3.200<br>(81.28) | 3.295<br>(83.69) |           |       |             |            |   |                  |                  |  |  |           |  |

|   |  |  |  |   |  |                       |  |
|---|--|--|--|---|--|-----------------------|--|
| *X INDICATES TOOLING IS NOT AVAILABLE.<br><br>ADD OPTION K & L<br>EC NO: S2010-0534<br>DRWN:SKANG<br>CHKD:ATSEE<br>APPR:MLONG<br>2009/12/30<br>2010/01/08<br>2010/01/14 | QUALITY SYMBOLS<br>$F_A=0$<br>$F_C=0$<br>$F_P=0$     | GENERAL TOLERANCES (UNLESS SPECIFIED)<br>4 PLACES ± --- ± ---<br>3 PLACES ± --- ± .010<br>2 PLACES ± 0.25 ± ---<br>1 PLACE ± --- ± ---<br>ANGULAR ± 1/2° | DIMENSION STYLE<br>IN/MM<br>DRAWN BY: DJB<br>DATE: 1991/10/21<br>CHECKED BY: DJB<br>DATE: 1991/10/21<br>APPROVED BY: MLONG<br>DATE: 2010/01/14 | SCALE<br>NTS<br>DESIGN UNITS<br>INCH<br>THIRD ANGLE PROJECTION  | TITLE<br>EARLY ENTRY R/A RECPT<br>.120"PC TAIL W/O LOWER<br>ROW PINSTOP-.100" GRID<br>MOLEX INCORPORATED<br>DOCUMENT NO.<br>SDA-71973-**** | SHEET NO.<br>18 OF 26 |  |
|   | DRAFT WHERE APPLICABLE MUST REMAIN WITHIN DIMENSIONS |  | SEE TABLE  | THIS DRAWING CONTAINS INFORMATION THAT IS PROPRIETARY TO MOLEX INCORPORATED AND SHOULD NOT BE USED WITHOUT WRITTEN PERMISSION |  |                       |  |
|   |  |  | SIZE A3  |   |  |                       |  |
|   |  |  |  |   |  |                       |  |

| NO. OF CKTS |       | OPTION F ASSEMBLY<br>PACKAGED IN TRAYS PER PK-70873-0239<br>(SEE SHEET I FOR FINISH SPECIFICATIONS) |  |            |            |            | DIMENSION        |                  |                  |  | NO. OF CKTS |       | OPTION F ASSEMBLY<br>PACKAGED IN TRAYS PER PK-70873-0239<br>(SEE SHEET I FOR FINISH SPECIFICATIONS) |  |            |            |            | DIMENSION        |                  |                  |  |
|-------------|-------|---|--|------------|------------|------------|------------------|------------------|------------------|--|-------------|-------|---|--|------------|------------|------------|------------------|------------------|------------------|--|
| PER ROW     | TOTAL | 15 GOLD   |  |            | 30 GOLD    | 50 GOLD    | A                | B                | D                |  | PER ROW     | TOTAL | 15 GOLD   |  |            | 30 GOLD    | 50 GOLD    | A                | B                | D                |  |
| 4           | 8     |   |  | 71973-8604 | 71973-8704 | 71973-8804 | .300<br>(16.71)  | .395<br>(10.03)  | .658<br>(16.71)  |  | 34          | 68    |   |  | 71973-8634 | 71973-8734 | 71973-8834 | 3.300<br>(83.82) | 3.395<br>(86.23) | 3.658<br>(92.91) |  |
| 5           | 10    |   |  | 71973-8605 | 71973-8705 | 71973-8805 | .400<br>(10.16)  | .495<br>(12.57)  | .758<br>(19.25)  |  | 35          | 70    |   |  | 71973-8635 | 71973-8735 | 71973-8835 | 3.400<br>(86.36) | 3.495<br>(88.77) | 3.758<br>(95.45) |  |
| 6           | 12    |   |  | 71973-8606 | 71973-8706 | 71973-8806 | .500<br>(12.70)  | .595<br>(15.11)  | .858<br>(21.79)  |  | 36          | 72    |   |  | 71973-8636 | 71973-8736 | 71973-8836 | 3.500<br>(88.90) | 3.595<br>(91.31) | 3.858<br>(97.99) |  |
| 7           | 14    |   |  | 71973-8607 | 71973-8707 | 71973-8807 | .600<br>(15.24)  | .695<br>(17.65)  | .958<br>(24.33)  |  |             |       |   |  |            |            |            |                  |                  |                  |  |
| 8           | 16    |   |  | 71973-8608 | 71973-8708 | 71973-8808 | .700<br>(17.78)  | .795<br>(20.19)  | 1.058<br>(26.87) |  |             |       |   |  |            |            |            |                  |                  |                  |  |
| 9           | 18    |   |  | 71973-8609 | 71973-8709 | 71973-8809 | .800<br>(20.32)  | .895<br>(22.73)  | 1.158<br>(29.41) |  |             |       |   |  |            |            |            |                  |                  |                  |  |
| 10          | 20    |   |  | 71973-8610 | 71973-8710 | 71973-8810 | .900<br>(22.86)  | .995<br>(25.27)  | 1.258<br>(31.95) |  |             |       |   |  |            |            |            |                  |                  |                  |  |
| 11          | 22    |   |  | 71973-8611 | 71973-8711 | 71973-8811 | 1.000<br>(25.40) | 1.095<br>(27.81) | 1.358<br>(34.49) |  |             |       |   |  |            |            |            |                  |                  |                  |  |
| 12          | 24    |   |  | 71973-8612 | 71973-8712 | 71973-8812 | 1.100<br>(27.94) | 1.195<br>(30.35) | 1.458<br>(37.03) |  |             |       |   |  |            |            |            |                  |                  |                  |  |
| 13          | 26    |   |  | 71973-8613 | 71973-8713 | 71973-8813 | 1.200<br>(30.48) | 1.295<br>(32.89) | 1.558<br>(39.57) |  |             |       |   |  |            |            |            |                  |                  |                  |  |
| 14          | 28    |   |  | 71973-8614 | 71973-8714 | 71973-8814 | 1.300<br>(33.02) | 1.395<br>(35.43) | 1.658<br>(42.11) |  |             |       |   |  |            |            |            |                  |                  |                  |  |
| 15          | 30    |   |  | 71973-8615 | 71973-8715 | 71973-8815 | 1.400<br>(35.56) | 1.495<br>(37.97) | 1.758<br>(44.65) |  |             |       |   |  |            |            |            |                  |                  |                  |  |
| 16          | 32    |   |  | 71973-8616 | 71973-8716 | 71973-8816 | 1.500<br>(38.10) | 1.595<br>(40.51) | 1.858<br>(47.19) |  |             |       |   |  |            |            |            |                  |                  |                  |  |
| 17          | 34    |   |  | 71973-8617 | 71973-8717 | 71973-8817 | 1.600<br>(40.64) | 1.695<br>(43.05) | 1.958<br>(49.73) |  |             |       |   |  |            |            |            |                  |                  |                  |  |
| 18          | 36    |   |  | 71973-8618 | 71973-8718 | 71973-8818 | 1.700<br>(43.18) | 1.795<br>(45.59) | 2.058<br>(52.27) |  |             |       |   |  |            |            |            |                  |                  |                  |  |
| 19          | 38    |   |  | 71973-8619 | 71973-8719 | 71973-8819 | 1.800<br>(45.72) | 1.895<br>(48.13) | 2.158<br>(54.81) |  |             |       |   |  |            |            |            |                  |                  |                  |  |
| 20          | 40    |   |  | 71973-8620 | 71973-8720 | 71973-8820 | 1.900<br>(48.26) | 1.995<br>(50.67) | 2.258<br>(57.35) |  |             |       |   |  |            |            |            |                  |                  |                  |  |
| 21          | 42    |   |  | 71973-8621 | 71973-8721 | 71973-8821 | 2.000<br>(50.80) | 2.095<br>(53.21) | 2.358<br>(59.89) |  |             |       |   |  |            |            |            |                  |                  |                  |  |
| 22          | 44    |   |  | 71973-8622 | 71973-8722 | 71973-8822 | 2.100<br>(53.34) | 2.195<br>(55.75) | 2.458<br>(62.43) |  |             |       |   |  |            |            |            |                  |                  |                  |  |
| 23          | 46    |   |  | 71973-8623 | 71973-8723 | 71973-8823 | 2.200<br>(55.88) | 2.295<br>(58.29) | 2.558<br>(64.97) |  |             |       |   |  |            |            |            |                  |                  |                  |  |
| 24          | 48    |   |  | 71973-8624 | 71973-8724 | 71973-8824 | 2.300<br>(58.42) | 2.395<br>(60.83) | 2.658<br>(67.51) |  |             |       |   |  |            |            |            |                  |                  |                  |  |
| 25          | 50    |   |  | 71973-8625 | 71973-8725 | 71973-8825 | 2.400<br>(60.96) | 2.495<br>(63.37) | 2.758<br>(70.05) |  |             |       |   |  |            |            |            |                  |                  |                  |  |
| 26          | 52    |   |  | 71973-8626 | 71973-8726 | 71973-8826 | 2.500<br>(63.50) | 2.595<br>(65.91) | 2.858<br>(72.59) |  |             |       |   |  |            |            |            |                  |                  |                  |  |
| 27          | 54    |   |  | 71973-8627 | 71973-8727 | 71973-8827 | 2.600<br>(66.04) | 2.695<br>(68.45) | 2.958<br>(75.13) |  |             |       |   |  |            |            |            |                  |                  |                  |  |
| 28          | 56    |   |  | 71973-8628 | 71973-8728 | 71973-8828 | 2.700<br>(68.58) | 2.795<br>(70.99) | 3.058<br>(77.67) |  |             |       |   |  |            |            |            |                  |                  |                  |  |
| 29          | 58    |   |  | 71973-8629 | 71973-8729 | 71973-8829 | 2.800<br>(71.12) | 2.895<br>(73.53) | 3.158<br>(80.21) |  |             |       |   |  |            |            |            |                  |                  |                  |  |
| 30          | 60    |   |  | 71973-8630 | 71973-8730 | 71973-8830 | 2.900<br>(73.66) | 2.995<br>(76.07) | 3.258<br>(82.75) |  |             |       |   |  |            |            |            |                  |                  |                  |  |
| 31          | 62    |   |  | 71973-8631 | 71973-8731 | 71973-8831 | 3.000<br>(76.20) | 3.095<br>(78.61) | 3.358<br>(85.29) |  |             |       |   |  |            |            |            |                  |                  |                  |  |
| 32          | 64    |   |  | 71973-8632 | 71973-8732 | 71973-8832 | 3.100<br>(78.74) | 3.195<br>(81.15) | 3.458<br>(87.83) |  |             |       |   |  |            |            |            |                  |                  |                  |  |
| 33          | 66    |   |  | 71973-8633 | 71973-8733 | 71973-8833 | 3.200<br>(81.28) | 3.295<br>(83.69) | 3.558<br>(90.37) |  |             |       |   |  |            |            |            |                  |                  |                  |  |

\*X\* INDICATES TOOLING IS NOT AVAILABLE.

ADD OPTION K & L  
 EC NO: S2010-0534  
 DRWN:SKANG 2009/12/30  
 CHKD:ATSEE 2010/01/08  
 APPR:MLONG 2010/01/14

QUALITY SYMBOLS  
 $F_A=0$   
 $F_B=0$   
 $F_C=0$

DRAFT WHERE APPLICABLE  
 MUST REMAIN  
 WITHIN DIMENSIONS

GENERAL TOLERANCES  
 (UNLESS SPECIFIED)

|          |        |        |
|----------|--------|--------|
|          | mm     | INCH   |
| 4 PLACES | ± ---  | ± ---  |
| 3 PLACES | ± ---  | ± .010 |
| 2 PLACES | ± 0.25 | ± ---  |
| 1 PLACE  | ± ---  | ± ---  |

ANGULAR ±1/2°

DIMENSION STYLE  
 IN/MM

SCALE  
 NTS

DESIGN UNITS  
 INCH

THIRD ANGLE  
 PROJECTION

TITLE  
 EARLY ENTRY R/A RECPT  
 .120"PC TAIL W/O LOWER  
 ROW PINSTOP-.100" GRID

MOLEX MOLEX INCORPORATED

MATERIAL NO. SEE TABLE

DOCUMENT NO. SDA-71973-\*\*\*\*

SHEET NO. 19 OF 26

THIS DRAWING CONTAINS INFORMATION THAT IS PROPRIETARY TO MOLEX  
 INCORPORATED AND SHOULD NOT BE USED WITHOUT WRITTEN PERMISSION

| NO. OF CKTS |       | OPTION G ASSEMBLY<br>PACKAGED IN TUBES PER PK-70873-0138<br>(SEE SHEET 1 FOR FINISH SPECIFICATIONS) |              |              |              |                  | DIMENSION        |  |  |  | NO. OF CKTS |       | OPTION G ASSEMBLY<br>PACKAGED IN TUBES PER PK-70873-0138<br>(SEE SHEET 1 FOR FINISH SPECIFICATIONS) |              |              |              |                  | DIMENSION        |  |  |  |  |  |  |  |  |  |  |  |
|-------------|-------|---|--------------|--------------|--------------|------------------|------------------|--|--|--|-------------|-------|---|--------------|--------------|--------------|------------------|------------------|--|--|--|--|--|--|--|--|--|--|--|
| PER ROW     | TOTAL |   | 15 GOLD      | 30 GOLD      | 50 GOLD      | A                | B                |  |  |  | PER ROW     | TOTAL |   | 15 GOLD      | 30 GOLD      | 50 GOLD      | A                | B                |  |  |  |  |  |  |  |  |  |  |  |
| 4           | 8     |   | X 71973-5004 | X 71973-5104 | X 71973-5204 | .300<br>(7.62)   | .395<br>(10.03)  |  |  |  | 32          | 64    |   | X 71973-5032 | X 71973-5132 | X 71973-5232 | 3.100<br>(78.74) | 3.195<br>(81.15) |  |  |  |  |  |  |  |  |  |  |  |
| 5           | 10    |   | X 71973-5005 | X 71973-5105 | X 71973-5205 | .400<br>(10.16)  | .495<br>(12.57)  |  |  |  | 33          | 66    |   | X 71973-5033 | X 71973-5133 | X 71973-5233 | 3.200<br>(81.28) | 3.295<br>(83.69) |  |  |  |  |  |  |  |  |  |  |  |
| 6           | 12    |   | X 71973-5006 | X 71973-5106 | X 71973-5206 | .500<br>(12.70)  | .595<br>(15.11)  |  |  |  | 34          | 68    |   | X 71973-5034 | X 71973-5134 | X 71973-5234 | 3.300<br>(83.82) | 3.395<br>(86.23) |  |  |  |  |  |  |  |  |  |  |  |
| 7           | 14    |   | X 71973-5007 | X 71973-5107 | X 71973-5207 | .600<br>(15.24)  | .695<br>(17.65)  |  |  |  | 35          | 70    |   | X 71973-5035 | X 71973-5135 | X 71973-5235 | 3.400<br>(86.36) | 3.495<br>(88.77) |  |  |  |  |  |  |  |  |  |  |  |
| 8           | 16    |   | X 71973-5008 | X 71973-5108 | X 71973-5208 | .700<br>(17.78)  | .795<br>(20.19)  |  |  |  | 36          | 72    |   | X 71973-5036 | X 71973-5136 | X 71973-5236 | 3.500<br>(88.90) | 3.595<br>(91.31) |  |  |  |  |  |  |  |  |  |  |  |
| 9           | 18    |   | X 71973-5009 | X 71973-5109 | X 71973-5209 | .800<br>(20.32)  | .895<br>(22.73)  |  |  |  |             |       |   |              |              |              |                  |                  |  |  |  |  |  |  |  |  |  |  |  |
| 10          | 20    |   | X 71973-5010 | X 71973-5110 | X 71973-5210 | .900<br>(22.86)  | .995<br>(25.27)  |  |  |  |             |       |   |              |              |              |                  |                  |  |  |  |  |  |  |  |  |  |  |  |
| 11          | 22    |   | X 71973-5011 | X 71973-5111 | X 71973-5211 | 1.000<br>(25.40) | 1.095<br>(27.81) |  |  |  |             |       |   |              |              |              |                  |                  |  |  |  |  |  |  |  |  |  |  |  |
| 12          | 24    |   | X 71973-5012 | X 71973-5112 | X 71973-5212 | 1.100<br>(27.94) | 1.195<br>(30.35) |  |  |  |             |       |   |              |              |              |                  |                  |  |  |  |  |  |  |  |  |  |  |  |
| 13          | 26    |   | X 71973-5013 | X 71973-5113 | X 71973-5213 | 1.200<br>(30.48) | 1.295<br>(32.89) |  |  |  |             |       |   |              |              |              |                  |                  |  |  |  |  |  |  |  |  |  |  |  |
| 14          | 28    |   | X 71973-5014 | X 71973-5114 | X 71973-5214 | 1.300<br>(33.02) | 1.395<br>(35.43) |  |  |  |             |       |   |              |              |              |                  |                  |  |  |  |  |  |  |  |  |  |  |  |
| 15          | 30    |   | X 71973-5015 | X 71973-5115 | X 71973-5215 | 1.400<br>(35.56) | 1.495<br>(37.97) |  |  |  |             |       |   |              |              |              |                  |                  |  |  |  |  |  |  |  |  |  |  |  |
| 16          | 32    |   | X 71973-5016 | X 71973-5116 | X 71973-5216 | 1.500<br>(38.10) | 1.595<br>(40.51) |  |  |  |             |       |   |              |              |              |                  |                  |  |  |  |  |  |  |  |  |  |  |  |
| 17          | 34    |   | X 71973-5017 | X 71973-5117 | X 71973-5217 | 1.600<br>(40.64) | 1.695<br>(43.05) |  |  |  |             |       |   |              |              |              |                  |                  |  |  |  |  |  |  |  |  |  |  |  |
| 18          | 36    |   | X 71973-5018 | X 71973-5118 | X 71973-5218 | 1.700<br>(43.18) | 1.795<br>(45.59) |  |  |  |             |       |   |              |              |              |                  |                  |  |  |  |  |  |  |  |  |  |  |  |
| 19          | 38    |   | X 71973-5019 | X 71973-5119 | X 71973-5219 | 1.800<br>(45.72) | 1.895<br>(48.13) |  |  |  |             |       |   |              |              |              |                  |                  |  |  |  |  |  |  |  |  |  |  |  |
| 20          | 40    |   | X 71973-5020 | X 71973-5120 | X 71973-5220 | 1.900<br>(48.26) | 1.995<br>(50.67) |  |  |  |             |       |   |              |              |              |                  |                  |  |  |  |  |  |  |  |  |  |  |  |
| 21          | 42    |   | X 71973-5021 | X 71973-5121 | X 71973-5221 | 2.000<br>(50.80) | 2.095<br>(53.21) |  |  |  |             |       |   |              |              |              |                  |                  |  |  |  |  |  |  |  |  |  |  |  |
| 22          | 44    |   | X 71973-5022 | X 71973-5122 | X 71973-5222 | 2.100<br>(53.34) | 2.195<br>(55.75) |  |  |  |             |       |   |              |              |              |                  |                  |  |  |  |  |  |  |  |  |  |  |  |
| 23          | 46    |   | X 71973-5023 | X 71973-5123 | X 71973-5223 | 2.200<br>(55.88) | 2.295<br>(58.29) |  |  |  |             |       |   |              |              |              |                  |                  |  |  |  |  |  |  |  |  |  |  |  |
| 24          | 48    |   | X 71973-5024 | X 71973-5124 | X 71973-5224 | 2.300<br>(58.42) | 2.395<br>(60.83) |  |  |  |             |       |   |              |              |              |                  |                  |  |  |  |  |  |  |  |  |  |  |  |
| 25          | 50    |   | X 71973-5025 | X 71973-5125 | X 71973-5225 | 2.400<br>(60.96) | 2.495<br>(63.37) |  |  |  |             |       |   |              |              |              |                  |                  |  |  |  |  |  |  |  |  |  |  |  |
| 26          | 52    |   | X 71973-5026 | X 71973-5126 | X 71973-5226 | 2.500<br>(63.50) | 2.595<br>(65.91) |  |  |  |             |       |   |              |              |              |                  |                  |  |  |  |  |  |  |  |  |  |  |  |
| 27          | 54    |   | X 71973-5027 | X 71973-5127 | X 71973-5227 | 2.600<br>(66.04) | 2.695<br>(68.45) |  |  |  |             |       |   |              |              |              |                  |                  |  |  |  |  |  |  |  |  |  |  |  |
| 28          | 56    |   | X 71973-5028 | X 71973-5128 | X 71973-5228 | 2.700<br>(68.58) | 2.795<br>(70.99) |  |  |  |             |       |   |              |              |              |                  |                  |  |  |  |  |  |  |  |  |  |  |  |
| 29          | 58    |   | X 71973-5029 | X 71973-5129 | X 71973-5229 | 2.800<br>(71.12) | 2.895<br>(73.53) |  |  |  |             |       |   |              |              |              |                  |                  |  |  |  |  |  |  |  |  |  |  |  |
| 30          | 60    |   | X 71973-5030 | X 71973-5130 | X 71973-5230 | 2.900<br>(73.66) | 2.995<br>(76.07) |  |  |  |             |       |   |              |              |              |                  |                  |  |  |  |  |  |  |  |  |  |  |  |
| 31          | 62    |   | X 71973-5031 | X 71973-5131 | X 71973-5231 | 3.000<br>(76.20) | 3.095<br>(78.61) |  |  |  |             |       |   |              |              |              |                  |                  |  |  |  |  |  |  |  |  |  |  |  |

|   |  |   |  |              |              |                        |   |
|---|--|---|--|--------------|--------------|------------------------|---|
| "X" INDICATES TOOLING IS NOT AVAILABLE.<br><br>ADD OPTION K & L<br>EC NO: S2010-0534<br>DRWN:SKANG<br>CHYD:ATSEE<br>APPR:MLONG<br>2009/12/30<br>2010/01/08<br>2010/01/14<br>K | QUALITY SYMBOLS                                      | GENERAL TOLERANCES (UNLESS SPECIFIED)   | DIMENSION STYLE  | SCALE        | DESIGN UNITS | THIRD ANGLE PROJECTION | TITLE<br><b>EARLY ENTRY R/A RECPT<br/>.120"PC TAIL W/O LOWER<br/>ROW PINSTOP-.100" GRID</b><br><br><b>MOLEX INCORPORATED</b><br><br>SDA-71973-****<br><br>SHEET NO.<br>20 OF 26 |
|   | $F_A = 0$<br>$F_G = 0$<br>$F_P = 0$                  | mm      INCH<br>4 PLACES ± --- ± ---<br>3 PLACES ± --- ± .010<br>2 PLACES ± 0.25 ± ---<br>1 PLACE ± --- ± ---<br>ANGULAR ± 1/2° | DRAWN BY: DJB      DATE: 1991/10/21<br>CHECKED BY:      DATE: 1991/10/21<br>APPROVED BY:      DATE: 2010/01/14<br>MATERIAL NO.      DOCUMENT NO. | IN/MM<br>NTS | INCH         |                        |   |
|   | DRAFT WHERE APPLICABLE MUST REMAIN WITHIN DIMENSIONS | SEE TABLE   | THIS DRAWING CONTAINS INFORMATION THAT IS PROPRIETARY TO MOLEX INCORPORATED AND SHOULD NOT BE USED WITHOUT WRITTEN PERMISSION                    |              |              |                        |   |
|   |  |   |  |              |              |                        |   |

| 10          |       | 9   |            |   | 8          |   |            | 7                |                  |  | 6         |                  |    | 5  |             |            | 4   |            |   | 3          |                  |                  | 2       |  |                  | 1         |   |  |   |
|-------------|-------|---|------------|---|------------|---|------------|------------------|------------------|--|-----------|------------------|----|----|-------------|------------|---|------------|---|------------|------------------|------------------|---------|--|------------------|-----------|---|--|---|
| NO. OF CKTS |       | OPTION H ASSEMBLY<br>PACKAGED IN TUBES PER PK-70873-0139<br>(SEE SHEET I FOR FINISH SPECIFICATIONS) |            |   |            |   |            |                  |                  |  | DIMENSION |                  |    |    | NO. OF CKTS |            | OPTION H ASSEMBLY<br>PACKAGED IN TUBES PER PK-70873-0139<br>(SEE SHEET I FOR FINISH SPECIFICATIONS) |            |   |            |                  |                  |         |  |                  | DIMENSION |   |  |   |
| PER ROW     | TOTAL | 15 GOLD   |            |   | 30 GOLD    |   |            | 50 GOLD          |                  |  | A         | B                |    | D  | PER ROW     | TOTAL      | 15 GOLD   |            |   | 30 GOLD    |                  |                  | 50 GOLD |  |                  | A         | B |  | D |
| 4           | 8     | X   | 71973-5804 | X | 71973-5904 | X | 71973-6004 | .300<br>(7.62)   | .395<br>(10.03)  |  |           | .658<br>(16.71)  | 31 | 62 | X           | 71973-5831 | X   | 71973-5931 | X | 71973-6031 | 3.000<br>(76.20) | 3.095<br>(78.61) |         |  | 3.358<br>(85.29) |           |   |  |   |
| 5           | 10    | X   | 71973-5805 | X | 71973-5905 | X | 71973-6005 | .400<br>(10.16)  | .495<br>(12.57)  |  |           | .758<br>(19.25)  | 32 | 64 | X           | 71973-5832 | X   | 71973-5932 | X | 71973-6032 | 3.100<br>(78.74) | 3.195<br>(81.15) |         |  | 3.458<br>(87.83) |           |   |  |   |
| 6           | 12    | X   | 71973-5806 | X | 71973-5906 | X | 71973-6006 | .500<br>(12.70)  | .595<br>(15.11)  |  |           | .858<br>(21.79)  | 33 | 66 | X           | 71973-5833 | X   | 71973-5933 | X | 71973-6033 | 3.200<br>(81.28) | 3.295<br>(83.69) |         |  | 3.558<br>(90.37) |           |   |  |   |
| 7           | 14    | X   | 71973-5807 | X | 71973-5907 | X | 71973-6007 | .600<br>(15.24)  | .695<br>(17.65)  |  |           | .958<br>(24.33)  | 34 | 68 | X           | 71973-5834 | X   | 71973-5934 | X | 71973-6034 | 3.300<br>(83.82) | 3.395<br>(86.23) |         |  | 3.658<br>(92.91) |           |   |  |   |
| 8           | 16    | X   | 71973-5808 | X | 71973-5908 | X | 71973-6008 | .700<br>(17.78)  | .795<br>(20.19)  |  |           | 1.058<br>(26.87) | 35 | 70 | X           | 71973-5835 | X   | 71973-5935 | X | 71973-6035 | 3.400<br>(86.36) | 3.495<br>(88.77) |         |  | 3.758<br>(95.45) |           |   |  |   |
| 9           | 18    | X   | 71973-5809 | X | 71973-5909 | X | 71973-6009 | .800<br>(20.32)  | .895<br>(22.73)  |  |           | 1.158<br>(29.41) | 36 | 72 | X           | 71973-5836 | X   | 71973-5936 | X | 71973-6036 | 3.500<br>(88.90) | 3.595<br>(91.31) |         |  | 3.858<br>(97.99) |           |   |  |   |
| 10          | 20    | X   | 71973-5810 | X | 71973-5910 | X | 71973-6010 | .900<br>(22.86)  | .995<br>(25.27)  |  |           | 1.258<br>(31.95) |    |    |             |            |   |            |   |            |                  |                  |         |  |                  |           |   |  |   |
| 11          | 22    | X   | 71973-5811 | X | 71973-5911 | X | 71973-6011 | 1.000<br>(25.40) | 1.095<br>(27.81) |  |           | 1.358<br>(34.49) |    |    |             |            |   |            |   |            |                  |                  |         |  |                  |           |   |  |   |
| 12          | 24    | X   | 71973-5812 | X | 71973-5912 | X | 71973-6012 | 1.100<br>(27.94) | 1.195<br>(30.35) |  |           | 1.458<br>(37.03) |    |    |             |            |   |            |   |            |                  |                  |         |  |                  |           |   |  |   |
| 13          | 26    | X   | 71973-5813 | X | 71973-5913 | X | 71973-6013 | 1.200<br>(30.48) | 1.295<br>(32.89) |  |           | 1.558<br>(39.57) |    |    |             |            |   |            |   |            |                  |                  |         |  |                  |           |   |  |   |
| 14          | 28    | X   | 71973-5814 | X | 71973-5914 | X | 71973-6014 | 1.300<br>(33.02) | 1.395<br>(35.43) |  |           | 1.658<br>(42.11) |    |    |             |            |   |            |   |            |                  |                  |         |  |                  |           |   |  |   |
| 15          | 30    | X   | 71973-5815 | X | 71973-5915 | X | 71973-6015 | 1.400<br>(35.56) | 1.495<br>(37.97) |  |           | 1.758<br>(44.65) |    |    |             |            |   |            |   |            |                  |                  |         |  |                  |           |   |  |   |
| 16          | 32    | X   | 71973-5816 | X | 71973-5916 | X | 71973-6016 | 1.500<br>(38.10) | 1.595<br>(40.51) |  |           | 1.858<br>(47.19) |    |    |             |            |   |            |   |            |                  |                  |         |  |                  |           |   |  |   |
| 17          | 34    | X   | 71973-5817 | X | 71973-5917 | X | 71973-6017 | 1.600<br>(40.64) | 1.695<br>(43.05) |  |           | 1.958<br>(49.73) |    |    |             |            |   |            |   |            |                  |                  |         |  |                  |           |   |  |   |
| 18          | 36    | X   | 71973-5818 | X | 71973-5918 | X | 71973-6018 | 1.700<br>(43.18) | 1.795<br>(45.59) |  |           | 2.058<br>(52.27) |    |    |             |            |   |            |   |            |                  |                  |         |  |                  |           |   |  |   |
| 19          | 38    | X   | 71973-5819 | X | 71973-5919 | X | 71973-6019 | 1.800<br>(45.72) | 1.895<br>(48.13) |  |           | 2.158<br>(54.81) |    |    |             |            |   |            |   |            |                  |                  |         |  |                  |           |   |  |   |
| 20          | 40    | X   | 71973-5820 | X | 71973-5920 | X | 71973-6020 | 1.900<br>(48.26) | 1.995<br>(50.67) |  |           | 2.258<br>(57.35) |    |    |             |            |   |            |   |            |                  |                  |         |  |                  |           |   |  |   |
| 21          | 42    | X   | 71973-5821 | X | 71973-5921 | X | 71973-6021 | 2.000<br>(50.80) | 2.095<br>(53.21) |  |           | 2.358<br>(59.89) |    |    |             |            |   |            |   |            |                  |                  |         |  |                  |           |   |  |   |
| 22          | 44    | X   | 71973-5822 | X | 71973-5922 | X | 71973-6022 | 2.100<br>(53.34) | 2.195<br>(55.75) |  |           | 2.458<br>(62.43) |    |    |             |            |   |            |   |            |                  |                  |         |  |                  |           |   |  |   |
| 23          | 46    | X   | 71973-5823 | X | 71973-5923 | X | 71973-6023 | 2.200<br>(55.88) | 2.295<br>(58.29) |  |           | 2.558<br>(64.97) |    |    |             |            |   |            |   |            |                  |                  |         |  |                  |           |   |  |   |
| 24          | 48    | X   | 71973-5824 | X | 71973-5924 | X | 71973-6024 | 2.300<br>(58.42) | 2.395<br>(60.83) |  |           | 2.658<br>(67.51) |    |    |             |            |   |            |   |            |                  |                  |         |  |                  |           |   |  |   |
| 25          | 50    | X   | 71973-5825 | X | 71973-5925 | X | 71973-6025 | 2.400<br>(60.96) | 2.495<br>(63.37) |  |           | 2.758<br>(70.05) |    |    |             |            |   |            |   |            |                  |                  |         |  |                  |           |   |  |   |
| 26          | 52    | X   | 71973-5826 | X | 71973-5926 | X | 71973-6026 | 2.500<br>(63.50) | 2.595<br>(65.91) |  |           | 2.858<br>(72.59) |    |    |             |            |   |            |   |            |                  |                  |         |  |                  |           |   |  |   |
| 27          | 54    | X   | 71973-5827 | X | 71973-5927 | X | 71973-6027 | 2.600<br>(66.04) | 2.695<br>(68.45) |  |           | 2.958<br>(75.13) |    |    |             |            |   |            |   |            |                  |                  |         |  |                  |           |   |  |   |
| 28          | 56    | X   | 71973-5828 | X | 71973-5928 | X | 71973-6028 | 2.700<br>(68.58) | 2.795<br>(70.99) |  |           | 3.058<br>(77.67) |    |    |             |            |   |            |   |            |                  |                  |         |  |                  |           |   |  |   |
| 29          | 58    | X   | 71973-5829 | X | 71973-5929 | X | 71973-6029 | 2.800<br>(71.12) | 2.895<br>(73.53) |  |           | 3.158<br>(80.21) |    |    |             |            |   |            |   |            |                  |                  |         |  |                  |           |   |  |   |
| 30          | 60    | X   | 71973-5830 | X | 71973-5930 | X | 71973-6030 | 2.900<br>(73.66) | 2.995<br>(76.07) |  |           | 3.258<br>(82.75) |    |    |             |            |   |            |   |            |                  |                  |         |  |                  |           |   |  |   |

\*X INDICATES TOOLING IS NOT AVAILABLE.

|   |  |             |
|---|--|-------------|
| ADD OPTION K & L<br>EC NO: S2010-0534<br>DRWN:SKANG<br>CHKD:ATSEE<br>APPR:MLONG | 2009/12/30<br>2010/01/08<br>2010/01/14 | DESCRIPTION |
| QUALITY SYMBOLS   | $F_A=0$                                |             |
|   | $F_C=0$                                |             |
|   | $F_P=0$                                |             |

| GENERAL TOLERANCES<br>(UNLESS SPECIFIED)                   |        | DIMENSION STYLE<br>IN/MM |  |
|--|--------|--------------------------|--|
|  | mm     | INCH                     |  |
| 4 PLACES   | ± ---  | ± ---                    |  |
| 3 PLACES   | ± ---  | ± .010                   |  |
| 2 PLACES   | ± 0.25 | ± ---                    |  |
| 1 PLACE  | ± ---  | ± ---                    |  |
| ANGULAR ± 1/2°   |        |                          |  |
| DRAFT WHERE APPLICABLE<br>MUST REMAIN<br>WITHIN DIMENSIONS |        |                          |  |

|              |            |   |
|--------------|------------|---|
| DRAWN BY     | DATE       | TITLE   |
| DJB          | 1991/10/21 | EARLY ENTRY R/A RECPT<br>.120"PC TAIL W/O LOWER<br>ROW PINSTOP-.100" GRID |
| CHECKED BY   | DATE       |   |
| DJB          | 1991/10/21 |   |
| APPROVED BY  | DATE       |   |
| MLONG        | 2010/01/14 |   |
| MATERIAL NO. | SEE TABLE  |   |

|  |                      |                           |
|--|----------------------|---------------------------|
| SCALE<br>NTS   | DESIGN UNITS<br>INCH | THIRD ANGLE<br>PROJECTION |
|  |                      |                           |
| DOCUMENT NO.   |                      | SHEET NO.                 |
| SDA-71973-****   |                      | 21 OF 26                  |
| THIS DRAWING CONTAINS INFORMATION THAT IS PROPRIETARY TO MOLEX<br>INCORPORATED AND SHOULD NOT BE USED WITHOUT WRITTEN PERMISSION |                      |                           |





| 10          |       | 9   |              |              | 8            |                  |                  | 7 |                  |         | 6         |  |              | 5            |              |                  | 4                |  |   | 3       |       |  | 2       |         |         | 1 |   |           |   |  |  |  |  |
|-------------|-------|---|--------------|--------------|--------------|------------------|------------------|---|------------------|---------|-----------|--|--------------|--------------|--------------|------------------|------------------|--|---|---------|-------|--|---------|---------|---------|---|---|-----------|---|--|--|--|--|
| NO. OF CKTS |       | OPTION H ASSEMBLY<br>PACKAGED IN TRAYS PER PK-70873-0239<br>(SEE SHEET I FOR FINISH SPECIFICATIONS) |              |              |              |                  |                  |   |                  |         | DIMENSION |  |              |              |              |                  | NO. OF CKTS      |  | OPTION H ASSEMBLY<br>PACKAGED IN TRAYS PER PK-70873-0239<br>(SEE SHEET I FOR FINISH SPECIFICATIONS) |         |       |  |         |         |         |   |   | DIMENSION |   |  |  |  |  |
| PER ROW     | TOTAL |   | 15 GOLD      | 30 GOLD      | 50 GOLD      | A                | B                |   | D                | PER ROW | TOTAL     |  | 15 GOLD      | 30 GOLD      | 50 GOLD      | A                | B                |  | D   | PER ROW | TOTAL |  | 15 GOLD | 30 GOLD | 50 GOLD | A | B |           | D |  |  |  |  |
| 4           | 8     |   | X 71973-9404 | X 71973-9504 | X 71973-9604 | .300<br>(7.62)   | .395<br>(10.03)  |   | .658<br>(16.71)  | 33      | 66        |  | X 71973-9433 | X 71973-9533 | X 71973-9633 | 3.200<br>(81.28) | 3.295<br>(83.69) |  | 3.558<br>(90.37)  |         |       |  |         |         |         |   |   |           |   |  |  |  |  |
| 5           | 10    |   | X 71973-9405 | X 71973-9505 | X 71973-9605 | .400<br>(10.16)  | .495<br>(12.57)  |   | .758<br>(19.25)  | 34      | 68        |  | X 71973-9434 | X 71973-9534 | X 71973-9634 | 3.300<br>(83.82) | 3.395<br>(86.23) |  | 3.658<br>(92.91)  |         |       |  |         |         |         |   |   |           |   |  |  |  |  |
| 6           | 12    |   | X 71973-9406 | X 71973-9506 | X 71973-9606 | .500<br>(12.70)  | .595<br>(15.11)  |   | .858<br>(21.79)  | 35      | 70        |  | X 71973-9435 | X 71973-9535 | X 71973-9635 | 3.400<br>(86.36) | 3.495<br>(88.77) |  | 3.758<br>(95.45)  |         |       |  |         |         |         |   |   |           |   |  |  |  |  |
| 7           | 14    |   | X 71973-9407 | X 71973-9507 | X 71973-9607 | .600<br>(15.24)  | .695<br>(17.65)  |   | .958<br>(24.33)  | 36      | 72        |  | X 71973-9436 | X 71973-9536 | X 71973-9636 | 3.500<br>(88.90) | 3.595<br>(91.31) |  | 3.858<br>(97.99)  |         |       |  |         |         |         |   |   |           |   |  |  |  |  |
| 8           | 16    |   | X 71973-9408 | X 71973-9508 | X 71973-9608 | .700<br>(17.78)  | .795<br>(20.19)  |   | 1.058<br>(26.87) |         |           |  |              |              |              |                  |                  |  |   |         |       |  |         |         |         |   |   |           |   |  |  |  |  |
| 9           | 18    |   | X 71973-9409 | X 71973-9509 | X 71973-9609 | .800<br>(20.32)  | .895<br>(22.73)  |   | 1.158<br>(29.41) |         |           |  |              |              |              |                  |                  |  |   |         |       |  |         |         |         |   |   |           |   |  |  |  |  |
| 10          | 20    |   | X 71973-9410 | X 71973-9510 | X 71973-9610 | .900<br>(22.86)  | .995<br>(25.27)  |   | 1.258<br>(31.95) |         |           |  |              |              |              |                  |                  |  |   |         |       |  |         |         |         |   |   |           |   |  |  |  |  |
| 11          | 22    |   | X 71973-9411 | X 71973-9511 | X 71973-9611 | 1.000<br>(25.40) | 1.095<br>(27.81) |   | 1.358<br>(34.49) |         |           |  |              |              |              |                  |                  |  |   |         |       |  |         |         |         |   |   |           |   |  |  |  |  |
| 12          | 24    |   | X 71973-9412 | X 71973-9512 | X 71973-9612 | 1.100<br>(27.94) | 1.195<br>(30.35) |   | 1.458<br>(37.03) |         |           |  |              |              |              |                  |                  |  |   |         |       |  |         |         |         |   |   |           |   |  |  |  |  |
| 13          | 26    |   | X 71973-9413 | X 71973-9513 | X 71973-9613 | 1.200<br>(30.48) | 1.295<br>(32.89) |   | 1.558<br>(39.57) |         |           |  |              |              |              |                  |                  |  |   |         |       |  |         |         |         |   |   |           |   |  |  |  |  |
| 14          | 28    |   | X 71973-9414 | X 71973-9514 | X 71973-9614 | 1.300<br>(33.02) | 1.395<br>(35.43) |   | 1.658<br>(42.11) |         |           |  |              |              |              |                  |                  |  |   |         |       |  |         |         |         |   |   |           |   |  |  |  |  |
| 15          | 30    |   | X 71973-9415 | X 71973-9515 | X 71973-9615 | 1.400<br>(35.56) | 1.495<br>(37.97) |   | 1.758<br>(44.65) |         |           |  |              |              |              |                  |                  |  |   |         |       |  |         |         |         |   |   |           |   |  |  |  |  |
| 16          | 32    |   | X 71973-9416 | X 71973-9516 | X 71973-9616 | 1.500<br>(38.10) | 1.595<br>(40.51) |   | 1.858<br>(47.19) |         |           |  |              |              |              |                  |                  |  |   |         |       |  |         |         |         |   |   |           |   |  |  |  |  |
| 17          | 34    |   | X 71973-9417 | X 71973-9517 | X 71973-9617 | 1.600<br>(40.64) | 1.695<br>(43.05) |   | 1.958<br>(49.73) |         |           |  |              |              |              |                  |                  |  |   |         |       |  |         |         |         |   |   |           |   |  |  |  |  |
| 18          | 36    |   | X 71973-9418 | X 71973-9518 | X 71973-9618 | 1.700<br>(43.18) | 1.795<br>(45.59) |   | 2.058<br>(52.27) |         |           |  |              |              |              |                  |                  |  |   |         |       |  |         |         |         |   |   |           |   |  |  |  |  |
| 19          | 38    |   | X 71973-9419 | X 71973-9519 | X 71973-9619 | 1.800<br>(45.72) | 1.895<br>(48.13) |   | 2.158<br>(54.81) |         |           |  |              |              |              |                  |                  |  |   |         |       |  |         |         |         |   |   |           |   |  |  |  |  |
| 20          | 40    |   | X 71973-9420 | X 71973-9520 | X 71973-9620 | 1.900<br>(48.26) | 1.995<br>(50.67) |   | 2.258<br>(57.35) |         |           |  |              |              |              |                  |                  |  |   |         |       |  |         |         |         |   |   |           |   |  |  |  |  |
| 21          | 42    |   | X 71973-9421 | X 71973-9521 | X 71973-9621 | 2.000<br>(50.80) | 2.095<br>(53.21) |   | 2.358<br>(59.89) |         |           |  |              |              |              |                  |                  |  |   |         |       |  |         |         |         |   |   |           |   |  |  |  |  |
| 22          | 44    |   | X 71973-9422 | X 71973-9522 | X 71973-9622 | 2.100<br>(53.34) | 2.195<br>(55.75) |   | 2.458<br>(62.43) |         |           |  |              |              |              |                  |                  |  |   |         |       |  |         |         |         |   |   |           |   |  |  |  |  |
| 23          | 46    |   | X 71973-9423 | X 71973-9523 | X 71973-9623 | 2.200<br>(55.88) | 2.295<br>(58.29) |   | 2.558<br>(64.97) |         |           |  |              |              |              |                  |                  |  |   |         |       |  |         |         |         |   |   |           |   |  |  |  |  |
| 24          | 48    |   | X 71973-9424 | X 71973-9524 | X 71973-9624 | 2.300<br>(58.42) | 2.395<br>(60.83) |   | 2.658<br>(67.51) |         |           |  |              |              |              |                  |                  |  |   |         |       |  |         |         |         |   |   |           |   |  |  |  |  |
| 25          | 50    |   | X 71973-9425 | X 71973-9525 | X 71973-9625 | 2.400<br>(60.96) | 2.495<br>(63.37) |   | 2.758<br>(70.05) |         |           |  |              |              |              |                  |                  |  |   |         |       |  |         |         |         |   |   |           |   |  |  |  |  |
| 26          | 52    |   | X 71973-9426 | X 71973-9526 | X 71973-9626 | 2.500<br>(63.50) | 2.595<br>(65.91) |   | 2.858<br>(72.59) |         |           |  |              |              |              |                  |                  |  |   |         |       |  |         |         |         |   |   |           |   |  |  |  |  |
| 27          | 54    |   | X 71973-9427 | X 71973-9527 | X 71973-9627 | 2.600<br>(66.04) | 2.695<br>(68.45) |   | 2.958<br>(75.13) |         |           |  |              |              |              |                  |                  |  |   |         |       |  |         |         |         |   |   |           |   |  |  |  |  |
| 28          | 56    |   | X 71973-9428 | X 71973-9528 | X 71973-9628 | 2.700<br>(68.58) | 2.795<br>(70.99) |   | 3.058<br>(77.67) |         |           |  |              |              |              |                  |                  |  |   |         |       |  |         |         |         |   |   |           |   |  |  |  |  |
| 29          | 58    |   | X 71973-9429 | X 71973-9529 | X 71973-9629 | 2.800<br>(71.12) | 2.895<br>(73.53) |   | 3.158<br>(80.21) |         |           |  |              |              |              |                  |                  |  |   |         |       |  |         |         |         |   |   |           |   |  |  |  |  |
| 30          | 60    |   | X 71973-9430 | X 71973-9530 | X 71973-9630 | 2.900<br>(73.66) | 2.995<br>(76.07) |   | 3.258<br>(82.75) |         |           |  |              |              |              |                  |                  |  |   |         |       |  |         |         |         |   |   |           |   |  |  |  |  |
| 31          | 62    |   | X 71973-9431 | X 71973-9531 | X 71973-9631 | 3.000<br>(76.20) | 3.095<br>(78.61) |   | 3.358<br>(85.29) |         |           |  |              |              |              |                  |                  |  |   |         |       |  |         |         |         |   |   |           |   |  |  |  |  |
| 32          | 64    |   | X 71973-9432 | X 71973-9532 | X 71973-9632 | 3.100<br>(78.74) | 3.195<br>(81.15) |   | 3.458<br>(87.83) |         |           |  |              |              |              |                  |                  |  |   |         |       |  |         |         |         |   |   |           |   |  |  |  |  |

| X INDICATES TOOLING IS NOT AVAILABLE                 |        | <b>ADD OPTION K &amp; L</b><br>EC NO: S2010-0534<br>DRWIN:SKANG 2009/12/30<br>CHKD:ATSEE 2010/01/08<br>APPR:MLONG 2010/01/14 |  | QUALITY SYMBOLS<br>$F_A=0$<br>$F_C=0$<br>$F_P=0$ | GENERAL TOLERANCES (UNLESS SPECIFIED)<br><table border="1"> <tr> <th></th> <th>mm</th> <th>INCH</th> </tr> <tr> <td>4 PLACES</td> <td>± ---</td> <td>± ---</td> </tr> <tr> <td>3 PLACES</td> <td>± ---</td> <td>± .010</td> </tr> <tr> <td>2 PLACES</td> <td>± 0.25</td> <td>± ---</td> </tr> <tr> <td>1 PLACE</td> <td>± ---</td> <td>± ---</td> </tr> </table> |  | mm | INCH | 4 PLACES | ± --- | ± --- | 3 PLACES | ± --- | ± .010 | 2 PLACES | ± 0.25 | ± --- | 1 PLACE | ± --- | ± --- | DIMENSION STYLE<br><b>IN/MM</b><br>DRAWN BY: DJB DATE: 1991/10/21<br>CHECKED BY: DJB DATE: 1991/10/21<br>APPROVED BY: MLONG DATE: 2010/01/14 | SCALE<br><b>NTS</b> | DESIGN UNITS<br><b>INCH</b> | THIRD ANGLE PROJECTION<br> | TITLE<br><b>EARLY ENTRY R/A RECPT<br/>.120"PC TAIL W/O LOWER<br/>ROW PINSTOP-.100" GRID</b> | MATERIAL NO.<br><b>SEE TABLE</b> | DOCUMENT NO.<br><b>SDA-71973-****</b> | SHEET NO.<br><b>23 OF 26</b> |
|--|--------|--|--|--|--|--|----|------|----------|-------|-------|----------|-------|--------|----------|--------|-------|---------|-------|-------|--|---------------------|-----------------------------|----------------------------|---|----------------------------------|---------------------------------------|------------------------------|
|  | mm     | INCH   |  |  |  |  |    |      |          |       |       |          |       |        |          |        |       |         |       |       |  |                     |                             |                            |   |                                  |                                       |                              |
| 4 PLACES   | ± ---  | ± ---  |  |  |  |  |    |      |          |       |       |          |       |        |          |        |       |         |       |       |  |                     |                             |                            |   |                                  |                                       |                              |
| 3 PLACES   | ± ---  | ± .010   |  |  |  |  |    |      |          |       |       |          |       |        |          |        |       |         |       |       |  |                     |                             |                            |   |                                  |                                       |                              |
| 2 PLACES   | ± 0.25 | ± ---  |  |  |  |  |    |      |          |       |       |          |       |        |          |        |       |         |       |       |  |                     |                             |                            |   |                                  |                                       |                              |
| 1 PLACE  | ± ---  | ± ---  |  |  |  |  |    |      |          |       |       |          |       |        |          |        |       |         |       |       |  |                     |                             |                            |   |                                  |                                       |                              |
| DRAFT WHERE APPLICABLE MUST REMAIN WITHIN DIMENSIONS |        |  |  |  | THIS DRAWING CONTAINS INFORMATION THAT IS PROPRIETARY TO MOLEX INCORPORATED AND SHOULD NOT BE USED WITHOUT WRITTEN PERMISSION  |  |    |      |          |       |       |          |       |        |          |        |       |         |       |       |  |                     |                             |                            |   |                                  |                                       |                              |

| 10          |       | 9   |  | 8          |            | 7          |                  | 6                |                  | 5                |    | 4           |       | 3   |            | 2          |            | 1                |                  |                  |                  |   |   |
|-------------|-------|---|--|------------|------------|------------|------------------|------------------|------------------|------------------|----|-------------|-------|---|------------|------------|------------|------------------|------------------|------------------|------------------|---|---|
| NO. OF CKTS |       | OPTION I ASSEMBLY<br>PACKAGED IN TUBES PER PK-70873-0138<br>(SEE SHEET I FOR FINISH SPECIFICATIONS) |  |            |            |            |                  | DIMENSION        |                  |                  |    | NO. OF CKTS |       | OPTION I ASSEMBLY<br>PACKAGED IN TUBES PER PK-70873-0138<br>(SEE SHEET I FOR FINISH SPECIFICATIONS) |            |            |            |                  |                  | DIMENSION        |                  |   |   |
| PER ROW     | TOTAL | 15 GOLD   |  | 30 GOLD    |            | 50 GOLD    |                  | A                | B                | C                | D  | PER ROW     | TOTAL | 15 GOLD   |            | 30 GOLD    |            | 50 GOLD          |                  | A                | B                | C | D |
| 4           | 8     |   |  | 71973-9704 | 71973-9804 | 71973-9904 | .300<br>(7.62)   | .395<br>(10.03)  | .200<br>(5.08)   | .658<br>(16.71)  | 34 | 68          |       |   | 71973-9734 | 71973-9834 | 71973-9934 | 3.300<br>(83.82) | 3.395<br>(86.23) | 3.200<br>(81.28) | 3.658<br>(92.91) |   |   |
| 5           | 10    |   |  | 71973-9705 | 71973-9805 | 71973-9905 | .400<br>(10.16)  | .495<br>(12.57)  | .300<br>(7.62)   | .758<br>(19.25)  | 35 | 70          |       |   | 71973-9735 | 71973-9835 | 71973-9935 | 3.400<br>(86.36) | 3.495<br>(88.77) | 3.300<br>(83.82) | 3.758<br>(95.45) |   |   |
| 6           | 12    |   |  | 71973-9706 | 71973-9806 | 71973-9906 | .500<br>(12.70)  | .595<br>(15.11)  | .400<br>(10.16)  | .858<br>(21.79)  | 36 | 72          |       |   | 71973-9736 | 71973-9836 | 71973-9936 | 3.500<br>(88.90) | 3.595<br>(91.31) | 3.400<br>(86.36) | 3.858<br>(97.99) |   |   |
| 7           | 14    |   |  | 71973-9707 | 71973-9807 | 71973-9907 | .600<br>(15.24)  | .695<br>(17.65)  | .500<br>(12.70)  | .958<br>(24.33)  |    |             |       |   |            |            |            |                  |                  |                  |                  |   |   |
| 8           | 16    |   |  | 71973-9708 | 71973-9808 | 71973-9908 | .700<br>(17.78)  | .795<br>(20.19)  | .600<br>(15.24)  | 1.058<br>(26.87) |    |             |       |   |            |            |            |                  |                  |                  |                  |   |   |
| 9           | 18    |   |  | 71973-9709 | 71973-9809 | 71973-9909 | .800<br>(20.32)  | .895<br>(22.73)  | .700<br>(17.78)  | 1.158<br>(29.41) |    |             |       |   |            |            |            |                  |                  |                  |                  |   |   |
| 10          | 20    |   |  | 71973-9710 | 71973-9810 | 71973-9910 | .900<br>(22.86)  | .995<br>(25.27)  | .800<br>(20.32)  | 1.258<br>(31.95) |    |             |       |   |            |            |            |                  |                  |                  |                  |   |   |
| 11          | 22    |   |  | 71973-9711 | 71973-9811 | 71973-9911 | 1.000<br>(25.40) | 1.095<br>(27.81) | .900<br>(22.86)  | 1.358<br>(34.49) |    |             |       |   |            |            |            |                  |                  |                  |                  |   |   |
| 12          | 24    |   |  | 71973-9712 | 71973-9812 | 71973-9912 | 1.100<br>(27.94) | 1.195<br>(30.35) | 1.000<br>(25.40) | 1.458<br>(37.03) |    |             |       |   |            |            |            |                  |                  |                  |                  |   |   |
| 13          | 26    |   |  | 71973-9713 | 71973-9813 | 71973-9913 | 1.200<br>(30.48) | 1.295<br>(32.89) | 1.100<br>(27.94) | 1.558<br>(39.57) |    |             |       |   |            |            |            |                  |                  |                  |                  |   |   |
| 14          | 28    |   |  | 71973-9714 | 71973-9814 | 71973-9914 | 1.300<br>(33.02) | 1.395<br>(35.43) | 1.200<br>(30.48) | 1.658<br>(42.11) |    |             |       |   |            |            |            |                  |                  |                  |                  |   |   |
| 15          | 30    |   |  | 71973-9715 | 71973-9815 | 71973-9915 | 1.400<br>(35.56) | 1.495<br>(37.97) | 1.300<br>(33.02) | 1.758<br>(44.65) |    |             |       |   |            |            |            |                  |                  |                  |                  |   |   |
| 16          | 32    |   |  | 71973-9716 | 71973-9816 | 71973-9916 | 1.500<br>(38.10) | 1.595<br>(40.51) | 1.400<br>(35.56) | 1.858<br>(47.19) |    |             |       |   |            |            |            |                  |                  |                  |                  |   |   |
| 17          | 34    |   |  | 71973-9717 | 71973-9817 | 71973-9917 | 1.600<br>(40.64) | 1.695<br>(43.05) | 1.500<br>(38.10) | 1.958<br>(49.73) |    |             |       |   |            |            |            |                  |                  |                  |                  |   |   |
| 18          | 36    |   |  | 71973-9718 | 71973-9818 | 71973-9918 | 1.700<br>(43.18) | 1.795<br>(45.59) | 1.600<br>(40.64) | 2.058<br>(52.27) |    |             |       |   |            |            |            |                  |                  |                  |                  |   |   |
| 19          | 38    |   |  | 71973-9719 | 71973-9819 | 71973-9919 | 1.800<br>(45.72) | 1.895<br>(48.13) | 1.700<br>(43.18) | 2.158<br>(54.81) |    |             |       |   |            |            |            |                  |                  |                  |                  |   |   |
| 20          | 40    |   |  | 71973-9720 | 71973-9820 | 71973-9920 | 1.900<br>(48.26) | 1.995<br>(50.67) | 1.800<br>(45.72) | 2.258<br>(57.35) |    |             |       |   |            |            |            |                  |                  |                  |                  |   |   |
| 21          | 42    |   |  | 71973-9721 | 71973-9821 | 71973-9921 | 2.000<br>(50.80) | 2.095<br>(53.21) | 1.900<br>(48.26) | 2.358<br>(59.89) |    |             |       |   |            |            |            |                  |                  |                  |                  |   |   |
| 22          | 44    |   |  | 71973-9722 | 71973-9822 | 71973-9922 | 2.100<br>(53.34) | 2.195<br>(55.75) | 2.000<br>(50.80) | 2.458<br>(62.43) |    |             |       |   |            |            |            |                  |                  |                  |                  |   |   |
| 23          | 46    |   |  | 71973-9723 | 71973-9823 | 71973-9923 | 2.200<br>(55.88) | 2.295<br>(58.29) | 2.100<br>(53.34) | 2.558<br>(64.97) |    |             |       |   |            |            |            |                  |                  |                  |                  |   |   |
| 24          | 48    |   |  | 71973-9724 | 71973-9824 | 71973-9924 | 2.300<br>(58.42) | 2.395<br>(60.83) | 2.200<br>(55.88) | 2.658<br>(67.51) |    |             |       |   |            |            |            |                  |                  |                  |                  |   |   |
| 25          | 50    |   |  | 71973-9725 | 71973-9825 | 71973-9925 | 2.400<br>(60.96) | 2.495<br>(63.37) | 2.300<br>(58.42) | 2.758<br>(70.05) |    |             |       |   |            |            |            |                  |                  |                  |                  |   |   |
| 26          | 52    |   |  | 71973-9726 | 71973-9826 | 71973-9926 | 2.500<br>(63.50) | 2.595<br>(65.91) | 2.400<br>(60.96) | 2.858<br>(72.59) |    |             |       |   |            |            |            |                  |                  |                  |                  |   |   |
| 27          | 54    |   |  | 71973-9727 | 71973-9827 | 71973-9927 | 2.600<br>(66.04) | 2.695<br>(68.45) | 2.500<br>(63.50) | 2.958<br>(75.13) |    |             |       |   |            |            |            |                  |                  |                  |                  |   |   |
| 28          | 56    |   |  | 71973-9728 | 71973-9828 | 71973-9928 | 2.700<br>(68.58) | 2.795<br>(70.99) | 2.600<br>(66.04) | 3.058<br>(77.67) |    |             |       |   |            |            |            |                  |                  |                  |                  |   |   |
| 29          | 58    |   |  | 71973-9729 | 71973-9829 | 71973-9929 | 2.800<br>(71.12) | 2.895<br>(73.53) | 2.700<br>(68.58) | 3.158<br>(80.21) |    |             |       |   |            |            |            |                  |                  |                  |                  |   |   |
| 30          | 60    |   |  | 71973-9730 | 71973-9830 | 71973-9930 | 2.900<br>(73.66) | 2.995<br>(76.07) | 2.800<br>(71.12) | 3.258<br>(82.75) |    |             |       |   |            |            |            |                  |                  |                  |                  |   |   |
| 31          | 62    |   |  | 71973-9731 | 71973-9831 | 71973-9931 | 3.000<br>(76.20) | 3.095<br>(78.61) | 2.900<br>(73.66) | 3.358<br>(85.29) |    |             |       |   |            |            |            |                  |                  |                  |                  |   |   |
| 32          | 64    |   |  | 71973-9732 | 71973-9832 | 71973-9932 | 3.100<br>(78.74) | 3.195<br>(81.15) | 3.000<br>(76.20) | 3.458<br>(87.83) |    |             |       |   |            |            |            |                  |                  |                  |                  |   |   |
| 33          | 66    |   |  | 71973-9733 | 71973-9833 | 71973-9933 | 3.200<br>(81.28) | 3.295<br>(83.69) | 3.100<br>(78.74) | 3.558<br>(90.37) |    |             |       |   |            |            |            |                  |                  |                  |                  |   |   |

|  |                                     |   |  |                |   |                        |  |
|--|-------------------------------------|---|--|----------------|---|------------------------|--|
| ADD OPTION K & L<br>EC NO: S2010-0534<br>DRWN:SKANG 2009/12/30<br>CHYD:ATSEE 2010/01/08<br>APPR:MLONG 2010/01/14 | QUALITY SYMBOLS                     | GENERAL TOLERANCES (UNLESS SPECIFIED)   | DIMENSION STYLE IN/MM  | SCALE NTS      | DESIGN UNITS INCH   | THIRD ANGLE PROJECTION |  |
|  | $F_A = 0$<br>$F_B = 0$<br>$F_P = 0$ | 4 PLACES ± --- ± ---<br>3 PLACES ± --- ± .010<br>2 PLACES ± 0.25 ± ---<br>1 PLACE ± --- ± ---<br>ANGULAR ± 1/2° | DRAWN BY DATE<br>DJB 1991/10/21<br>CHECKED BY DATE<br>DJB 1991/10/21<br>APPROVED BY DATE<br>MLONG 2010/01/14 | TITLE          | EARLY ENTRY R/A RECPT<br>.120"PC TAIL W/O LOWER<br>ROW PINSTOP-.100" GRID<br>MOLEX INCORPORATED |                        |  |
|  |                                     | DRAFT WHERE APPLICABLE MUST REMAIN WITHIN DIMENSIONS  | SEE TABLE  | MATERIAL NO.   | DOCUMENT NO.  | SHEET NO.              |  |
|  |                                     |   |  | SDA-71973-**** | 24 OF 26  |                        |  |

| 10          |       | 9   |  | 8          |            | 7          |                  | 6                |   | 5 |  | 4           |  | 3   |            | 2          |            | 1                |                  |           |   |  |  |  |  |  |  |  |  |  |  |  |  |  |  |  |  |
|-------------|-------|---|--|------------|------------|------------|------------------|------------------|---|---|--|-------------|--|---|------------|------------|------------|------------------|------------------|-----------|---|--|--|--|--|--|--|--|--|--|--|--|--|--|--|--|--|
| NO. OF CKTS |       | OPTION K ASSEMBLY<br>PACKAGED IN TUBES PER PK-70873-0138<br>(SEE SHEET I FOR FINISH SPECIFICATIONS) |  |            |            |            |                  | DIMENSION        |   |   |  | NO. OF CKTS |  | OPTION K ASSEMBLY<br>PACKAGED IN TUBES PER PK-70873-0138<br>(SEE SHEET I FOR FINISH SPECIFICATIONS) |            |            |            |                  |                  | DIMENSION |   |  |  |  |  |  |  |  |  |  |  |  |  |  |  |  |  |
| PER ROW     | TOTAL | 15 GOLD   |  | 30 GOLD    |            | 50 GOLD    |                  | A                | B |   |  |             |  | 15 GOLD   |            | 30 GOLD    |            | 50 GOLD          |                  | A         | B |  |  |  |  |  |  |  |  |  |  |  |  |  |  |  |  |
| 4           | 8     |   |  | 71973-6204 | 71973-6304 | 71973-6404 | .300<br>(7.62)   | .395<br>(10.03)  |   |   |  |             |  |   | 71973-6232 | 71973-6332 | 71973-6432 | 3.100<br>(78.74) | 3.195<br>(81.15) |           |   |  |  |  |  |  |  |  |  |  |  |  |  |  |  |  |  |
| 5           | 10    |   |  | 71973-6205 | 71973-6305 | 71973-6405 | .400<br>(10.16)  | .495<br>(12.57)  |   |   |  |             |  |   | 71973-6233 | 71973-6333 | 71973-6433 | 3.200<br>(81.28) | 3.295<br>(83.69) |           |   |  |  |  |  |  |  |  |  |  |  |  |  |  |  |  |  |
| 6           | 12    |   |  | 71973-6206 | 71973-6306 | 71973-6406 | .500<br>(12.70)  | .595<br>(15.11)  |   |   |  |             |  |   | 71973-6234 | 71973-6334 | 71973-6434 | 3.300<br>(83.82) | 3.395<br>(86.23) |           |   |  |  |  |  |  |  |  |  |  |  |  |  |  |  |  |  |
| 7           | 14    |   |  | 71973-6207 | 71973-6307 | 71973-6407 | .600<br>(15.24)  | .695<br>(17.65)  |   |   |  |             |  |   | 71973-6235 | 71973-6335 | 71973-6435 | 3.400<br>(86.36) | 3.495<br>(88.77) |           |   |  |  |  |  |  |  |  |  |  |  |  |  |  |  |  |  |
| 8           | 16    |   |  | 71973-6208 | 71973-6308 | 71973-6408 | .700<br>(17.78)  | .795<br>(20.19)  |   |   |  |             |  |   | 71973-6236 | 71973-6336 | 71973-6436 | 3.500<br>(88.90) | 3.595<br>(91.31) |           |   |  |  |  |  |  |  |  |  |  |  |  |  |  |  |  |  |
| 9           | 18    |   |  | 71973-6209 | 71973-6309 | 71973-6409 | .800<br>(20.32)  | .895<br>(22.73)  |   |   |  |             |  |   |            |            |            |                  |                  |           |   |  |  |  |  |  |  |  |  |  |  |  |  |  |  |  |  |
| 10          | 20    |   |  | 71973-6210 | 71973-6310 | 71973-6410 | .900<br>(22.86)  | .995<br>(25.27)  |   |   |  |             |  |   |            |            |            |                  |                  |           |   |  |  |  |  |  |  |  |  |  |  |  |  |  |  |  |  |
| 11          | 22    |   |  | 71973-6211 | 71973-6311 | 71973-6411 | 1.000<br>(25.40) | 1.095<br>(27.81) |   |   |  |             |  |   |            |            |            |                  |                  |           |   |  |  |  |  |  |  |  |  |  |  |  |  |  |  |  |  |
| 12          | 24    |   |  | 71973-6212 | 71973-6312 | 71973-6412 | 1.100<br>(27.94) | 1.195<br>(30.35) |   |   |  |             |  |   |            |            |            |                  |                  |           |   |  |  |  |  |  |  |  |  |  |  |  |  |  |  |  |  |
| 13          | 26    |   |  | 71973-6213 | 71973-6313 | 71973-6413 | 1.200<br>(30.48) | 1.295<br>(32.89) |   |   |  |             |  |   |            |            |            |                  |                  |           |   |  |  |  |  |  |  |  |  |  |  |  |  |  |  |  |  |
| 14          | 28    |   |  | 71973-6214 | 71973-6314 | 71973-6414 | 1.300<br>(33.02) | 1.395<br>(35.43) |   |   |  |             |  |   |            |            |            |                  |                  |           |   |  |  |  |  |  |  |  |  |  |  |  |  |  |  |  |  |
| 15          | 30    |   |  | 71973-6215 | 71973-6315 | 71973-6415 | 1.400<br>(35.56) | 1.495<br>(37.97) |   |   |  |             |  |   |            |            |            |                  |                  |           |   |  |  |  |  |  |  |  |  |  |  |  |  |  |  |  |  |
| 16          | 32    |   |  | 71973-6216 | 71973-6316 | 71973-6416 | 1.500<br>(38.10) | 1.595<br>(40.51) |   |   |  |             |  |   |            |            |            |                  |                  |           |   |  |  |  |  |  |  |  |  |  |  |  |  |  |  |  |  |
| 17          | 34    |   |  | 71973-6217 | 71973-6317 | 71973-6417 | 1.600<br>(40.64) | 1.695<br>(43.05) |   |   |  |             |  |   |            |            |            |                  |                  |           |   |  |  |  |  |  |  |  |  |  |  |  |  |  |  |  |  |
| 18          | 36    |   |  | 71973-6218 | 71973-6318 | 71973-6418 | 1.700<br>(43.18) | 1.795<br>(45.59) |   |   |  |             |  |   |            |            |            |                  |                  |           |   |  |  |  |  |  |  |  |  |  |  |  |  |  |  |  |  |
| 19          | 38    |   |  | 71973-6219 | 71973-6319 | 71973-6419 | 1.800<br>(45.72) | 1.895<br>(48.13) |   |   |  |             |  |   |            |            |            |                  |                  |           |   |  |  |  |  |  |  |  |  |  |  |  |  |  |  |  |  |
| 20          | 40    |   |  | 71973-6220 | 71973-6320 | 71973-6420 | 1.900<br>(48.26) | 1.995<br>(50.67) |   |   |  |             |  |   |            |            |            |                  |                  |           |   |  |  |  |  |  |  |  |  |  |  |  |  |  |  |  |  |
| 21          | 42    |   |  | 71973-6221 | 71973-6321 | 71973-6421 | 2.000<br>(50.80) | 2.095<br>(53.21) |   |   |  |             |  |   |            |            |            |                  |                  |           |   |  |  |  |  |  |  |  |  |  |  |  |  |  |  |  |  |
| 22          | 44    |   |  | 71973-6222 | 71973-6322 | 71973-6422 | 2.100<br>(53.34) | 2.195<br>(55.75) |   |   |  |             |  |   |            |            |            |                  |                  |           |   |  |  |  |  |  |  |  |  |  |  |  |  |  |  |  |  |
| 23          | 46    |   |  | 71973-6223 | 71973-6323 | 71973-6423 | 2.200<br>(55.88) | 2.295<br>(58.29) |   |   |  |             |  |   |            |            |            |                  |                  |           |   |  |  |  |  |  |  |  |  |  |  |  |  |  |  |  |  |
| 24          | 48    |   |  | 71973-6224 | 71973-6324 | 71973-6424 | 2.300<br>(58.42) | 2.395<br>(60.83) |   |   |  |             |  |   |            |            |            |                  |                  |           |   |  |  |  |  |  |  |  |  |  |  |  |  |  |  |  |  |
| 25          | 50    |   |  | 71973-6225 | 71973-6325 | 71973-6425 | 2.400<br>(60.96) | 2.495<br>(63.37) |   |   |  |             |  |   |            |            |            |                  |                  |           |   |  |  |  |  |  |  |  |  |  |  |  |  |  |  |  |  |
| 26          | 52    |   |  | 71973-6226 | 71973-6326 | 71973-6426 | 2.500<br>(63.50) | 2.595<br>(65.91) |   |   |  |             |  |   |            |            |            |                  |                  |           |   |  |  |  |  |  |  |  |  |  |  |  |  |  |  |  |  |
| 27          | 54    |   |  | 71973-6227 | 71973-6327 | 71973-6427 | 2.600<br>(66.04) | 2.695<br>(68.45) |   |   |  |             |  |   |            |            |            |                  |                  |           |   |  |  |  |  |  |  |  |  |  |  |  |  |  |  |  |  |
| 28          | 56    |   |  | 71973-6228 | 71973-6328 | 71973-6428 | 2.700<br>(68.58) | 2.795<br>(70.99) |   |   |  |             |  |   |            |            |            |                  |                  |           |   |  |  |  |  |  |  |  |  |  |  |  |  |  |  |  |  |
| 29          | 58    |   |  | 71973-6229 | 71973-6329 | 71973-6429 | 2.800<br>(71.12) | 2.895<br>(73.53) |   |   |  |             |  |   |            |            |            |                  |                  |           |   |  |  |  |  |  |  |  |  |  |  |  |  |  |  |  |  |
| 30          | 60    |   |  | 71973-6230 | 71973-6330 | 71973-6430 | 2.900<br>(73.66) | 2.995<br>(76.07) |   |   |  |             |  |   |            |            |            |                  |                  |           |   |  |  |  |  |  |  |  |  |  |  |  |  |  |  |  |  |
| 31          | 62    |   |  | 71973-6231 | 71973-6331 | 71973-6431 | 3.000<br>(76.20) | 3.095<br>(78.61) |   |   |  |             |  |   |            |            |            |                  |                  |           |   |  |  |  |  |  |  |  |  |  |  |  |  |  |  |  |  |

|  |  |  |  |                                       |                       |  |                    |  |                      |                        |  |  |
|--|--|--|--|---------------------------------------|-----------------------|--|--------------------|--|----------------------|------------------------|--|--|
| *X* INDICATES TOOLING IS NOT AVAILABLE |  | <b>ADD OPTION K &amp; L</b><br>EC NO: S2010-0534<br>DRWN:SKANG 2009/12/30<br>CHYD:ATSEE 2010/01/08<br>APPR:MLONG 2010/01/14<br>DESCRIPTION | QUALITY SYMBOLS<br>$F_A=0$<br>$F_B=0$<br>$F_P=0$ | GENERAL TOLERANCES (UNLESS SPECIFIED) |                       | DIMENSION STYLE<br>IN/MM   |                    | SCALE<br>NTS   | DESIGN UNITS<br>INCH | THIRD ANGLE PROJECTION |  |  |
|  |  |  |  | mm                                    | INCH                  | DRAWN BY<br>DJB  | DATE<br>1991/10/21 | TITLE<br>EARLY ENTRY R/A RECPT<br>.120"PC TAIL W/O LOWER<br>ROW PINSTOP-.100" GRID |                      |                        |  |  |
|  |  |  |  | 4 PLACES ± --- ± ---                  | 3 PLACES ± --- ± .010 | CHECKED BY<br>DJB  | DATE<br>1991/10/21 | MOLEX INCORPORATED   |                      |                        |  |  |
|  |  |  |  | 2 PLACES ± 0.25 ± ---                 | 1 PLACE ± --- ± ---   | APPROVED BY<br>MLONG   | DATE<br>2010/01/14 | DOCUMENT NO.<br>SDA-71973-****   |                      |                        |  |  |
|  |  | ANGULAR ± 1/2°   |  | MATERIAL NO.                          |                       | SEE TABLE  |                    | SHEET NO.<br>25 OF 26  |                      |                        |  |  |
|  |  | DRAFT WHERE APPLICABLE<br>MUST REMAIN<br>WITHIN DIMENSIONS   |  | SIZE<br>A3                            |                       | THIS DRAWING CONTAINS INFORMATION THAT IS PROPRIETARY TO MOLEX<br>INCORPORATED AND SHOULD NOT BE USED WITHOUT WRITTEN PERMISSION |                    |  |                      |                        |  |  |

| NO. OF CKTS |       | OPTION L ASSEMBLY<br>PACKAGED IN TUBES PER PK-70873-0138<br>(SEE SHEET 1 FOR FINISH SPECIFICATIONS) |  |            |            |            | DIMENSION        |                  |  | NO. OF CKTS |         | OPTION L ASSEMBLY<br>PACKAGED IN TUBES PER PK-70873-0138<br>(SEE SHEET 1 FOR FINISH SPECIFICATIONS) |         |  |            |            | DIMENSION  |                  |                  |  |  |
|-------------|-------|---|--|------------|------------|------------|------------------|------------------|--|-------------|---------|---|---------|--|------------|------------|------------|------------------|------------------|--|--|
| PER ROW     | TOTAL | 15 GOLD   |  |            | 30 GOLD    | 50 GOLD    | A                | B                |  |             | PER ROW | TOTAL   | 15 GOLD |  |            | 30 GOLD    | 50 GOLD    | A                | B                |  |  |
| 4           | 8     |   |  | 71973-5404 | 71973-5504 | 71973-5604 | .300<br>(7.62)   | .395<br>(10.03)  |  |             | 31      | 62  |         |  | 71973-5431 | 71973-5531 | 71973-5631 | 3.000<br>(76.20) | 3.095<br>(78.61) |  |  |
| 5           | 10    |   |  | 71973-5405 | 71973-5505 | 71973-5605 | .400<br>(10.16)  | .495<br>(12.57)  |  |             | 32      | 64  |         |  | 71973-5432 | 71973-5532 | 71973-5632 | 3.100<br>(78.74) | 3.195<br>(81.15) |  |  |
| 6           | 12    |   |  | 71973-5406 | 71973-5506 | 71973-5606 | .500<br>(12.70)  | .595<br>(15.11)  |  |             | 33      | 66  |         |  | 71973-5433 | 71973-5533 | 71973-5633 | 3.200<br>(81.28) | 3.295<br>(83.69) |  |  |
| 7           | 14    |   |  | 71973-5407 | 71973-5507 | 71973-5607 | .600<br>(15.24)  | .695<br>(17.65)  |  |             | 34      | 68  |         |  | 71973-5434 | 71973-5534 | 71973-5634 | 3.300<br>(83.82) | 3.395<br>(86.23) |  |  |
| 8           | 16    |   |  | 71973-5408 | 71973-5508 | 71973-5608 | .700<br>(17.78)  | .795<br>(20.19)  |  |             | 35      | 70  |         |  | 71973-5435 | 71973-5535 | 71973-5635 | 3.400<br>(86.36) | 3.495<br>(88.77) |  |  |
| 9           | 18    |   |  | 71973-5409 | 71973-5509 | 71973-5609 | .800<br>(20.32)  | .895<br>(22.73)  |  |             | 36      | 72  |         |  | 71973-5436 | 71973-5536 | 71973-5636 | 3.500<br>(88.90) | 3.595<br>(91.31) |  |  |
| 10          | 20    |   |  | 71973-5410 | 71973-5510 | 71973-5610 | .900<br>(22.86)  | .995<br>(25.27)  |  |             |         |   |         |  |            |            |            |                  |                  |  |  |
| 11          | 22    |   |  | 71973-5411 | 71973-5511 | 71973-5611 | 1.000<br>(25.40) | 1.095<br>(27.81) |  |             |         |   |         |  |            |            |            |                  |                  |  |  |
| 12          | 24    |   |  | 71973-5412 | 71973-5512 | 71973-5612 | 1.100<br>(27.94) | 1.195<br>(30.35) |  |             |         |   |         |  |            |            |            |                  |                  |  |  |
| 13          | 26    |   |  | 71973-5413 | 71973-5513 | 71973-5613 | 1.200<br>(30.48) | 1.295<br>(32.89) |  |             |         |   |         |  |            |            |            |                  |                  |  |  |
| 14          | 28    |   |  | 71973-5414 | 71973-5514 | 71973-5614 | 1.300<br>(33.02) | 1.395<br>(35.43) |  |             |         |   |         |  |            |            |            |                  |                  |  |  |
| 15          | 30    |   |  | 71973-5415 | 71973-5515 | 71973-5615 | 1.400<br>(35.56) | 1.495<br>(37.97) |  |             |         |   |         |  |            |            |            |                  |                  |  |  |
| 16          | 32    |   |  | 71973-5416 | 71973-5516 | 71973-5616 | 1.500<br>(38.10) | 1.595<br>(40.51) |  |             |         |   |         |  |            |            |            |                  |                  |  |  |
| 17          | 34    |   |  | 71973-5417 | 71973-5517 | 71973-5617 | 1.600<br>(40.64) | 1.695<br>(43.05) |  |             |         |   |         |  |            |            |            |                  |                  |  |  |
| 18          | 36    |   |  | 71973-5418 | 71973-5518 | 71973-5618 | 1.700<br>(43.18) | 1.795<br>(45.59) |  |             |         |   |         |  |            |            |            |                  |                  |  |  |
| 19          | 38    |   |  | 71973-5419 | 71973-5519 | 71973-5619 | 1.800<br>(45.72) | 1.895<br>(48.13) |  |             |         |   |         |  |            |            |            |                  |                  |  |  |
| 20          | 40    |   |  | 71973-5420 | 71973-5520 | 71973-5620 | 1.900<br>(48.26) | 1.995<br>(50.67) |  |             |         |   |         |  |            |            |            |                  |                  |  |  |
| 21          | 42    |   |  | 71973-5421 | 71973-5521 | 71973-5621 | 2.000<br>(50.80) | 2.095<br>(53.21) |  |             |         |   |         |  |            |            |            |                  |                  |  |  |
| 22          | 44    |   |  | 71973-5422 | 71973-5522 | 71973-5622 | 2.100<br>(53.34) | 2.195<br>(55.75) |  |             |         |   |         |  |            |            |            |                  |                  |  |  |
| 23          | 46    |   |  | 71973-5423 | 71973-5523 | 71973-5623 | 2.200<br>(55.88) | 2.295<br>(58.29) |  |             |         |   |         |  |            |            |            |                  |                  |  |  |
| 24          | 48    |   |  | 71973-5424 | 71973-5524 | 71973-5624 | 2.300<br>(58.42) | 2.395<br>(60.83) |  |             |         |   |         |  |            |            |            |                  |                  |  |  |
| 25          | 50    |   |  | 71973-5425 | 71973-5525 | 71973-5625 | 2.400<br>(60.96) | 2.495<br>(63.37) |  |             |         |   |         |  |            |            |            |                  |                  |  |  |
| 26          | 52    |   |  | 71973-5426 | 71973-5526 | 71973-5626 | 2.500<br>(63.50) | 2.595<br>(65.91) |  |             |         |   |         |  |            |            |            |                  |                  |  |  |
| 27          | 54    |   |  | 71973-5427 | 71973-5527 | 71973-5627 | 2.600<br>(66.04) | 2.695<br>(68.45) |  |             |         |   |         |  |            |            |            |                  |                  |  |  |
| 28          | 56    |   |  | 71973-5428 | 71973-5528 | 71973-5628 | 2.700<br>(68.58) | 2.795<br>(70.99) |  |             |         |   |         |  |            |            |            |                  |                  |  |  |
| 29          | 58    |   |  | 71973-5429 | 71973-5529 | 71973-5629 | 2.800<br>(71.12) | 2.895<br>(73.53) |  |             |         |   |         |  |            |            |            |                  |                  |  |  |
| 30          | 60    |   |  | 71973-5430 | 71973-5530 | 71973-5630 | 2.900<br>(73.66) | 2.995<br>(76.07) |  |             |         |   |         |  |            |            |            |                  |                  |  |  |

|   |                                     |   |   |   |              |                        |  |
|---|-------------------------------------|---|---|---|--------------|------------------------|--|
| "X" INDICATES TOOLING IS NOT AVAILABLE<br><br>ADD OPTION K & L<br>EC NO: S2010-0534<br>DRWN:SKANG 2009/12/30<br>CHYD:ATSEE 2010/01/08<br>APPR:MLONG 2010/01/14<br>K | QUALITY SYMBOLS                     | GENERAL TOLERANCES (UNLESS SPECIFIED)   | DIMENSION STYLE   | SCALE   | DESIGN UNITS | THIRD ANGLE PROJECTION |  |
|   | $F_A = 0$<br>$F_C = 0$<br>$F_P = 0$ | mm    INCH<br>4 PLACES ± --- ± ---<br>3 PLACES ± --- ± .010<br>2 PLACES ± 0.25 ± ---<br>1 PLACE ± --- ± ---<br>ANGULAR ± 1/2° | IN/MM<br>DRAWN BY DATE<br>DJB 1991/10/21<br>CHECKED BY DATE<br>DJB 1991/10/21<br>APPROVED BY DATE<br>MLONG 2010/01/14 | NTS<br>TITLE<br>EARLY ENTRY R/A RECPT<br>.120"PC TAIL W/O LOWER<br>ROW PINSTOP-.100" GRID<br>MOLEX INCORPORATED |              |                        |  |
|   |                                     | DRAFT WHERE APPLICABLE MUST REMAIN WITHIN DIMENSIONS  | SEE TABLE   | MATERIAL NO.  | DOCUMENT NO. | SHEET NO.              |  |
|   |                                     |   |   | SDA-71973-****  |              | 26 OF 26               |  |

| NO. OF CKTS |       | OPTION A ASSEMBLY<br>PACKAGED IN TUBES PER PK-70873-0138<br>(SEE SHEET 1 FOR FINISH SPECIFICATIONS) |            |            |                  |                  | DIMENSION |       | NO. OF CKTS |            | OPTION A ASSEMBLY<br>PACKAGED IN TUBES PER PK-70873-0138<br>(SEE SHEET 1 FOR FINISH SPECIFICATIONS) |                  |                  |  |  | DIMENSION |  |
|-------------|-------|---|------------|------------|------------------|------------------|-----------|-------|-------------|------------|---|------------------|------------------|--|--|-----------|--|
| PER ROW     | TOTAL | 15 GOLD   | 30 GOLD    | 50 GOLD    | A                | B                | PER ROW   | TOTAL | 15 GOLD     | 30 GOLD    | 50 GOLD   | A                | B                |  |  |           |  |
| 4           | 8     | 71973-0204  | 71973-0304 | 71973-0404 | .300<br>(7.62)   | .395<br>(10.03)  | 34        | 68    | 71973-0234  | 71973-0334 | 71973-0434  | 3.300<br>(83.82) | 3.395<br>(86.23) |  |  |           |  |
| 5           | 10    | 71973-0205  | 71973-0305 | 71973-0405 | .400<br>(10.16)  | .495<br>(12.57)  | 35        | 70    | 71973-0235  | 71973-0335 | 71973-0435  | 3.400<br>(86.36) | 3.495<br>(88.77) |  |  |           |  |
| 6           | 12    | 71973-0206  | 71973-0306 | 71973-0406 | .500<br>(12.70)  | .595<br>(15.11)  | 36        | 72    | 71973-0236  | 71973-0336 | 71973-0436  | 3.500<br>(88.90) | 3.595<br>(91.31) |  |  |           |  |
| 7           | 14    | 71973-0207  | 71973-0307 | 71973-0407 | .600<br>(15.24)  | .695<br>(17.65)  |           |       |             |            |   |                  |                  |  |  |           |  |
| 8           | 16    | 71973-0208  | 71973-0308 | 71973-0408 | .700<br>(17.78)  | .795<br>(20.19)  |           |       |             |            |   |                  |                  |  |  |           |  |
| 9           | 18    | 71973-0209  | 71973-0309 | 71973-0409 | .800<br>(20.32)  | .895<br>(22.73)  |           |       |             |            |   |                  |                  |  |  |           |  |
| 10          | 20    | 71973-0210  | 71973-0310 | 71973-0410 | .900<br>(22.86)  | .995<br>(25.27)  |           |       |             |            |   |                  |                  |  |  |           |  |
| 11          | 22    | 71973-0211  | 71973-0311 | 71973-0411 | 1.000<br>(25.40) | 1.095<br>(27.81) |           |       |             |            |   |                  |                  |  |  |           |  |
| 12          | 24    | 71973-0212  | 71973-0312 | 71973-0412 | 1.100<br>(27.94) | 1.195<br>(30.35) |           |       |             |            |   |                  |                  |  |  |           |  |
| 13          | 26    | 71973-0213  | 71973-0313 | 71973-0413 | 1.200<br>(30.48) | 1.295<br>(32.89) |           |       |             |            |   |                  |                  |  |  |           |  |
| 14          | 28    | 71973-0214  | 71973-0314 | 71973-0414 | 1.300<br>(33.02) | 1.395<br>(35.43) |           |       |             |            |   |                  |                  |  |  |           |  |
| 15          | 30    | 71973-0215  | 71973-0315 | 71973-0415 | 1.400<br>(35.56) | 1.495<br>(37.97) |           |       |             |            |   |                  |                  |  |  |           |  |
| 16          | 32    | 71973-0216  | 71973-0316 | 71973-0416 | 1.500<br>(38.10) | 1.595<br>(40.51) |           |       |             |            |   |                  |                  |  |  |           |  |
| 17          | 34    | 71973-0217  | 71973-0317 | 71973-0417 | 1.600<br>(40.64) | 1.695<br>(43.05) |           |       |             |            |   |                  |                  |  |  |           |  |
| 18          | 36    | 71973-0218  | 71973-0318 | 71973-0418 | 1.700<br>(43.18) | 1.795<br>(45.59) |           |       |             |            |   |                  |                  |  |  |           |  |
| 19          | 38    | 71973-0219  | 71973-0319 | 71973-0419 | 1.800<br>(45.72) | 1.895<br>(48.13) |           |       |             |            |   |                  |                  |  |  |           |  |
| 20          | 40    | 71973-0220  | 71973-0320 | 71973-0420 | 1.900<br>(48.26) | 1.995<br>(50.67) |           |       |             |            |   |                  |                  |  |  |           |  |
| 21          | 42    | 71973-0221  | 71973-0321 | 71973-0421 | 2.000<br>(50.80) | 2.095<br>(53.21) |           |       |             |            |   |                  |                  |  |  |           |  |
| 22          | 44    | 71973-0222  | 71973-0322 | 71973-0422 | 2.100<br>(53.34) | 2.195<br>(55.75) |           |       |             |            |   |                  |                  |  |  |           |  |
| 23          | 46    | 71973-0223  | 71973-0323 | 71973-0423 | 2.200<br>(55.88) | 2.295<br>(58.29) |           |       |             |            |   |                  |                  |  |  |           |  |
| 24          | 48    | 71973-0224  | 71973-0324 | 71973-0424 | 2.300<br>(58.42) | 2.395<br>(60.83) |           |       |             |            |   |                  |                  |  |  |           |  |
| 25          | 50    | 71973-0225  | 71973-0325 | 71973-0425 | 2.400<br>(60.96) | 2.495<br>(63.37) |           |       |             |            |   |                  |                  |  |  |           |  |
| 26          | 52    | 71973-0226  | 71973-0326 | 71973-0426 | 2.500<br>(63.50) | 2.595<br>(65.91) |           |       |             |            |   |                  |                  |  |  |           |  |
| 27          | 54    | 71973-0227  | 71973-0327 | 71973-0427 | 2.600<br>(66.04) | 2.695<br>(68.45) |           |       |             |            |   |                  |                  |  |  |           |  |
| 28          | 56    | 71973-0228  | 71973-0328 | 71973-0428 | 2.700<br>(68.58) | 2.795<br>(70.99) |           |       |             |            |   |                  |                  |  |  |           |  |
| 29          | 58    | 71973-0229  | 71973-0329 | 71973-0429 | 2.800<br>(71.12) | 2.895<br>(73.53) |           |       |             |            |   |                  |                  |  |  |           |  |
| 30          | 60    | 71973-0230  | 71973-0330 | 71973-0430 | 2.900<br>(73.66) | 2.995<br>(76.07) |           |       |             |            |   |                  |                  |  |  |           |  |
| 31          | 62    | 71973-0231  | 71973-0331 | 71973-0431 | 3.000<br>(76.20) | 3.095<br>(78.61) |           |       |             |            |   |                  |                  |  |  |           |  |
| 32          | 64    | 71973-0232  | 71973-0332 | 71973-0432 | 3.100<br>(78.74) | 3.195<br>(81.15) |           |       |             |            |   |                  |                  |  |  |           |  |
| 33          | 66    | 71973-0233  | 71973-0333 | 71973-0433 | 3.200<br>(81.28) | 3.295<br>(83.69) |           |       |             |            |   |                  |                  |  |  |           |  |

"X" INDICATES TOOLING IS NOT AVAILABLE

REMOVE 74-130 CKT  
 EC NO: UCP2007-0113  
 DRAWN: JORGAN 2006/08/07  
 CHKD: MS BARRA 2006/08/16  
 APPR: SMILLER 2006/08/18

QUALITY SYMBOLS  
  
 DESCRIPTION

GENERAL TOLERANCES (UNLESS SPECIFIED)  

|          |        |         |
|----------|--------|---------|
|          | mm     | INCH    |
| 4 PLACES | ± .005 | ± .0004 |
| 3 PLACES | ± .004 | ± .0003 |
| 2 PLACES | ± .003 | ± .0002 |
| 1 PLACE  | ± .002 | ± .0001 |

 ANGULAR ±1/2°  
 DRAFT WHERE APPLICABLE  
 MUST REMAIN WITHIN DIMENSIONS

DIMENSION STYLE  
 IN/MM  
 DRAWN BY: DJB  
 DATE: 1991/10/21  
 CHECKED BY: \_\_\_\_\_  
 DATE: \_\_\_\_\_  
 APPROVED BY: \_\_\_\_\_  
 DATE: \_\_\_\_\_  
 MATERIAL NO.: SEE CHART  
 SIZE: C

SCALE: ---  
 DESIGN UNITS: INCH  
 THIRD ANGLE PROJECTION  
 TITLE: RECEPTACLE-RIGHT ANGLE  
 .120 PC TAIL, NO PINSTOP  
 .100/(2.54) GRID  
 MOLEX INCORPORATED  
 DOCUMENT NO.: SDA-71973-\*\*\*\*  
 SHEET NO.: 6 OF 22  
 THIS DRAWING CONTAINS INFORMATION THAT IS PROPRIETARY TO MOLEX INCORPORATED AND SHOULD NOT BE USED WITHOUT WRITTEN PERMISSION